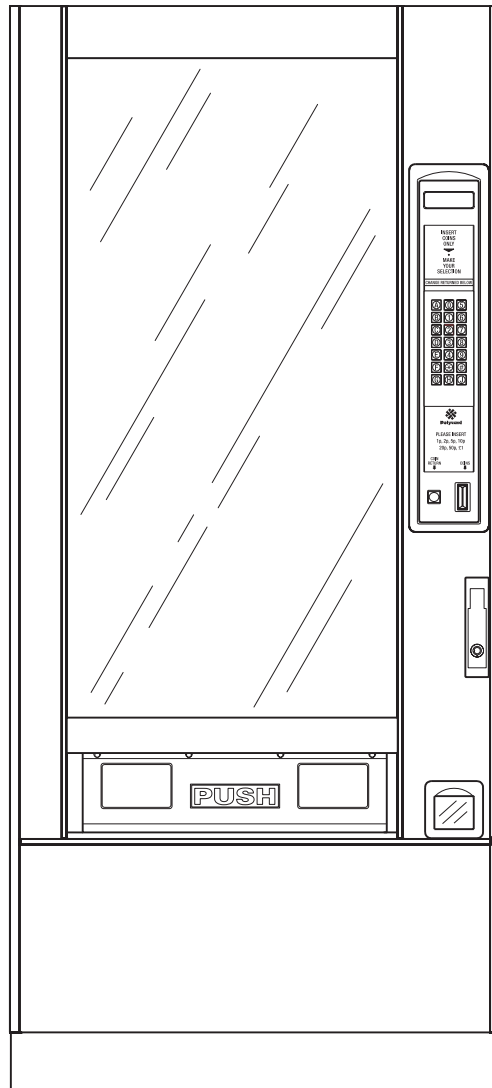


Snack Vendor

Model 172-173



PARTS MANUAL

POLYVEND, LTD.
STATION LANE
WHITNEY
OXON, ENGLAND OX868U

TEL: WITNEY (01993) 774601
FAX: WITNEY (01993) 771830

Copyright © 6-98
Crane Co

1720000

List of Figures

Figure	Title	Page
1.	SnackVendor Merchandiser	1
2.	Outer Door Assembly	2
3.	Door Trim and Panels	4
4.	Door Trim Detail	6
5.	Door Lock and Handle Assembly.....	8
6.	Door Miscellaneous	10
7.	Door Glass	12
8.	Upper and Lower Door Hinge Assemblies.....	14
9.	Door Check	16
10.	Fluorescent Light	18
11.	Delivery Pan Assembly (Part 1 of 2)	20
12.	Delivery Pan Assembly (Part 2 of 2)	22
13.	Gum and Mint Unit (Part 1 of 2)	24
14.	Gum and Mint Unit (Part 2 of 2)	26
15.	Cabinet - Loose Parts	30
16.	Cabinet Details.....	32
17.	Candy Tray Assembly	34
18.	Snack Tray Assembly	36
20.	Leg, Leveler, and Leg and Hinge Assemblies	40
21.	Monetary Panel Assembly (Part 1 of 2).....	42
22.	Monetary Panel Assembly (Part 2 of 2).....	44
23.	Face Plate Assembly	46
24.	Controller Interface PCB and Power Panel Housing	48
25.	Power Panel	50
26.	Deflector Asemblies	52
27.	Cabinet Back Miscellaneous.....	54
28.	Accessories (Base Plate Assembly)	56
29.	Accessories (Door Lock Guard)	57
30.	Accessories (Money Box Lock)	58
31.	Accessories (Delivery Pan Pad).....	59
32.	Accessories (Wire Block Kit).....	60
33.	Accessories (Data Printer Interface).....	62
34.	Accessories (Tray Extension Harness)	63
35.	Accessories (DEX Printer Interface Harness).....	63
36.	Wiring Harnesses	64

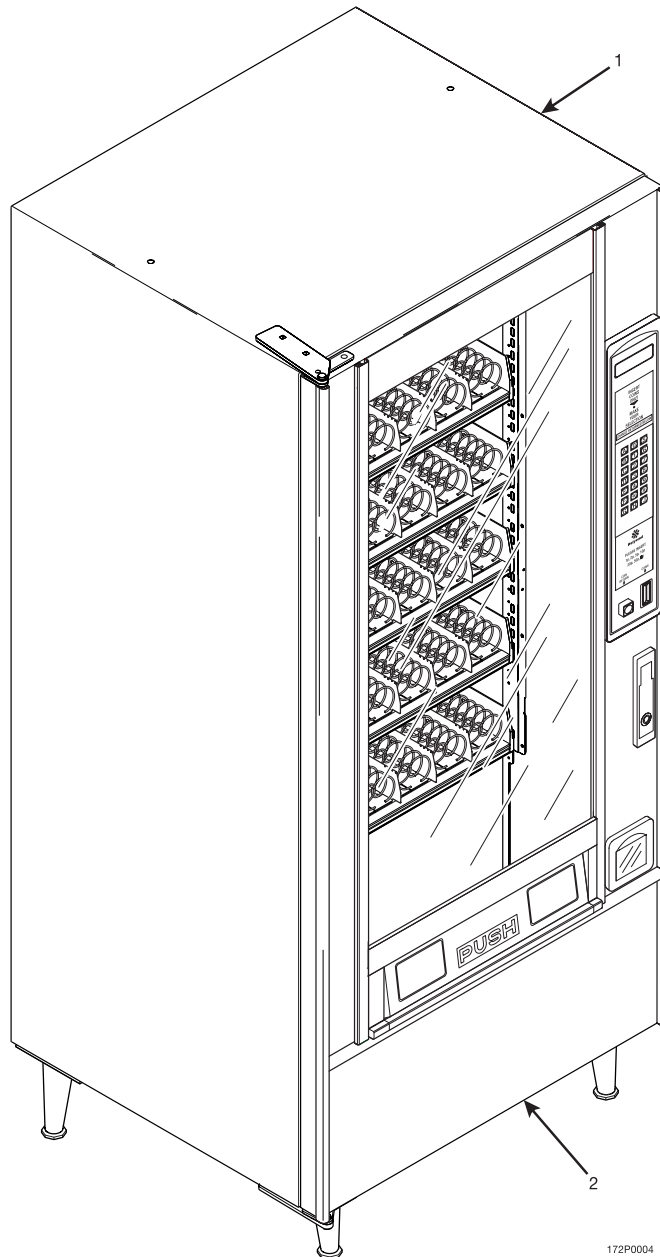
List of Tables

Table	Title	Page
1.	SnackVendor Merchandiser	1
2.	Outer Door Assembly	3
3.	Door Trim and Panels	5
4.	Door Trim Detail	7
5.	Door Lock and Handle Assembly	9
6.	Door Miscellaneous	11
7.	Door Glass	13
8.	Upper and Lower Door Hinge Assemblies	15
9.	Door Check	17
10.	Fluorescent Light	19
11.	Delivery Pan Assembly (Part 1 of 2)	21
12.	Delivery Pan Assembly (Part 2 of 2)	23
13.	Gum and Mint Unit (Part 1 of 2)	25
14.	Gum and Mint Unit (Part 2 of 2)	27
15.	Cabinet - Loose Parts	31
16.	Cabinet Details	33
17.	Candy Tray Assembly	35
18.	Snack Tray Assembly	37
19.	Spiral Options	38
20.	Leg, Leveler, and Leg and Hinge Assemblies	41
21.	Monetary Panel Assembly (Part 1 of 2)	43
22.	Monetary Panel Assembly (Part 2 of 2)	45
23.	Face Plate Assembly	47
24.	Controller Interface PCB and Power Panel Housing	49
25.	Power Panel	51
26.	Deflector Asemblies	53
27.	Cabinet Back Miscellaneous	55
28.	Accessories (Base Plate Assembly)	56
29.	Accessories (Door Lock Guard)	57
30.	Accessories (Money Box Lock)	58
31.	Accessories (Delivery Pan Pad)	59
32.	Accessories (Wire Block Kit)	61
33.	Accessories (Data Printer Interface)	62

SnackVendor Model 172 - 173 Parts Manual

TABLE 1. SNACKVENDOR MERCHANDISER

INDEX	PART NUMBER	DESCRIPTION	QTY
1	1721003	CABINET ASSEMBLY - NU WHITE (172)	1
	1731003	CABINET ASSEMBLY - NU WHITE (173)	
2	1592000	DOOR ASSEMBLY - COMMON (172)	1
	4532000	DOOR ASSEMBLY - COMMON - STANDARD (173)	



172P0004

Figure 1. SnackVendor Merchandiser

Snack Vendor Model 172 - 173 Parts Manual

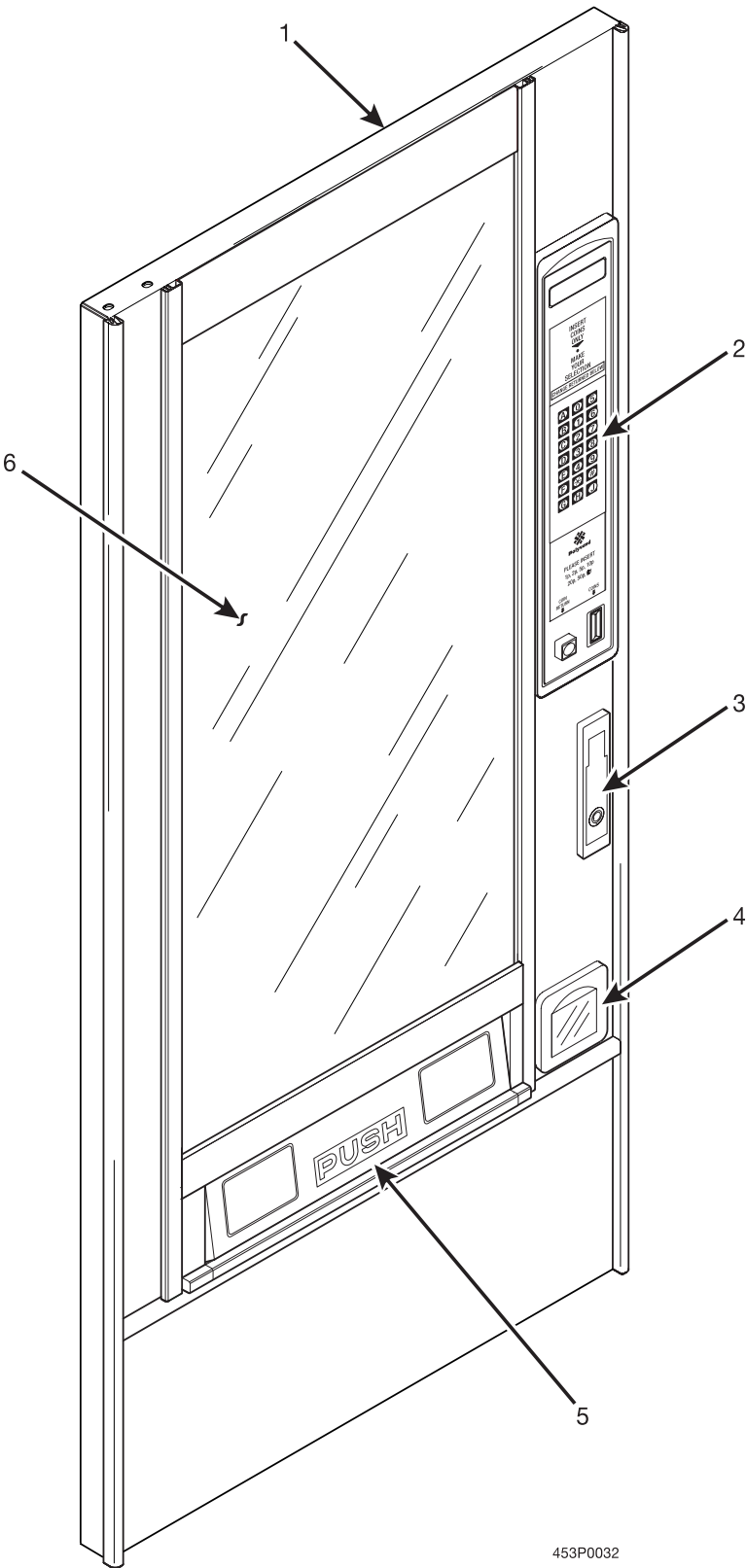


Figure 2. Outer Door Assembly

SnackVendor Model 172 - 173 Parts Manual

TABLE 2. OUTER DOOR ASSEMBLY

INDEX	PART NUMBER	DESCRIPTION	QTY
1	4532000	DOOR ASSEMBLY - COMMON - STD (173)	1
	1592000	DOOR ASSEMBLY - COMMON (172)	
2	4525003	FACE PLATE ASSEMBLY - POLYVEND (SEE FIGURE 21)	1
	4525005	FACE PLATE ASSEMBLY - PROVEND (SEE FIGURE 21)	
3	-	DOOR LOCK (SEE FIGURE 5)	1
4	-	CUP - COIN RETURN (SEE FIGURE 6)	1
5	-	FLAP DELIVERY PAN - NO G & M (SEE FIGURE 11)	1
	-	FLAP DELIVERY PAN - WITH G & M (SEE FIGURE 11)	
6	-	DOOR GLASS (SEE FIGURE 7)	1

Snack Vendor Model 172 - 173 Parts Manual

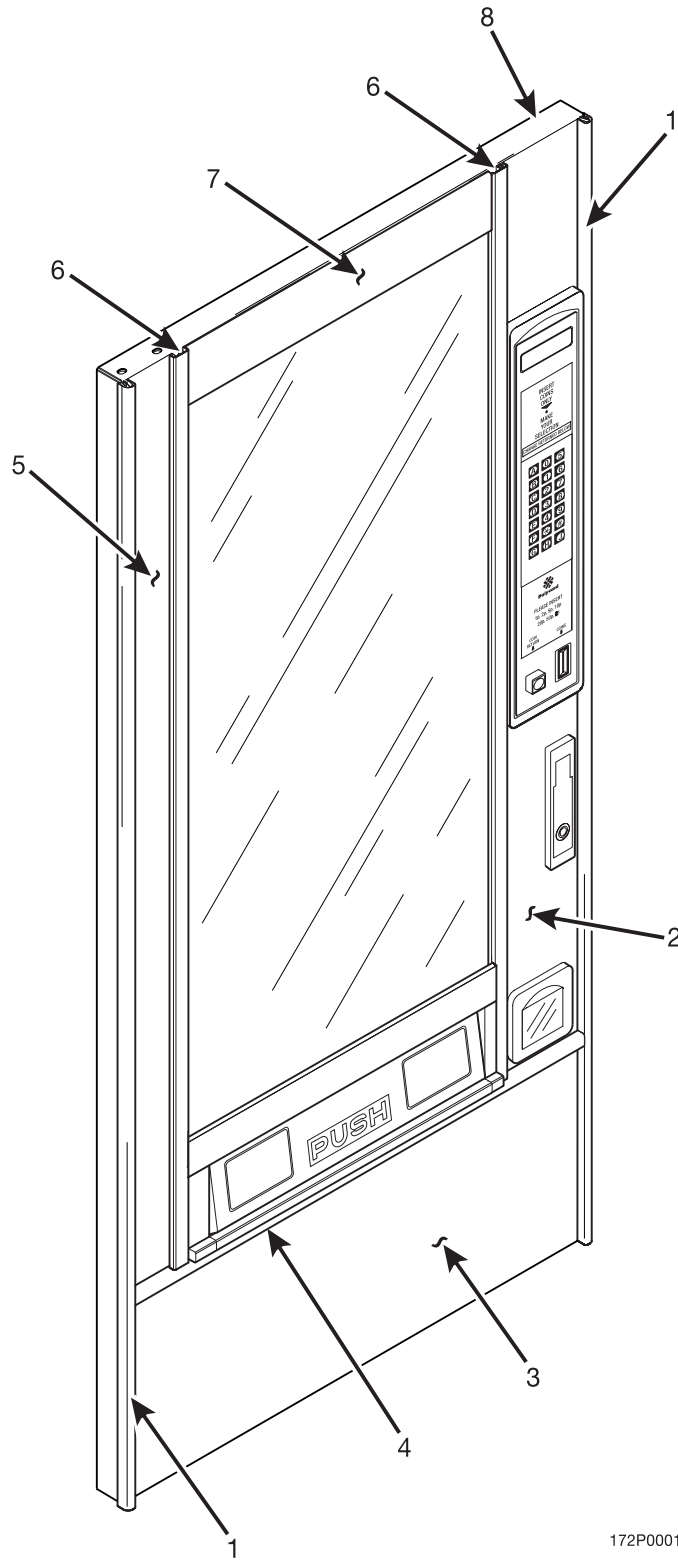


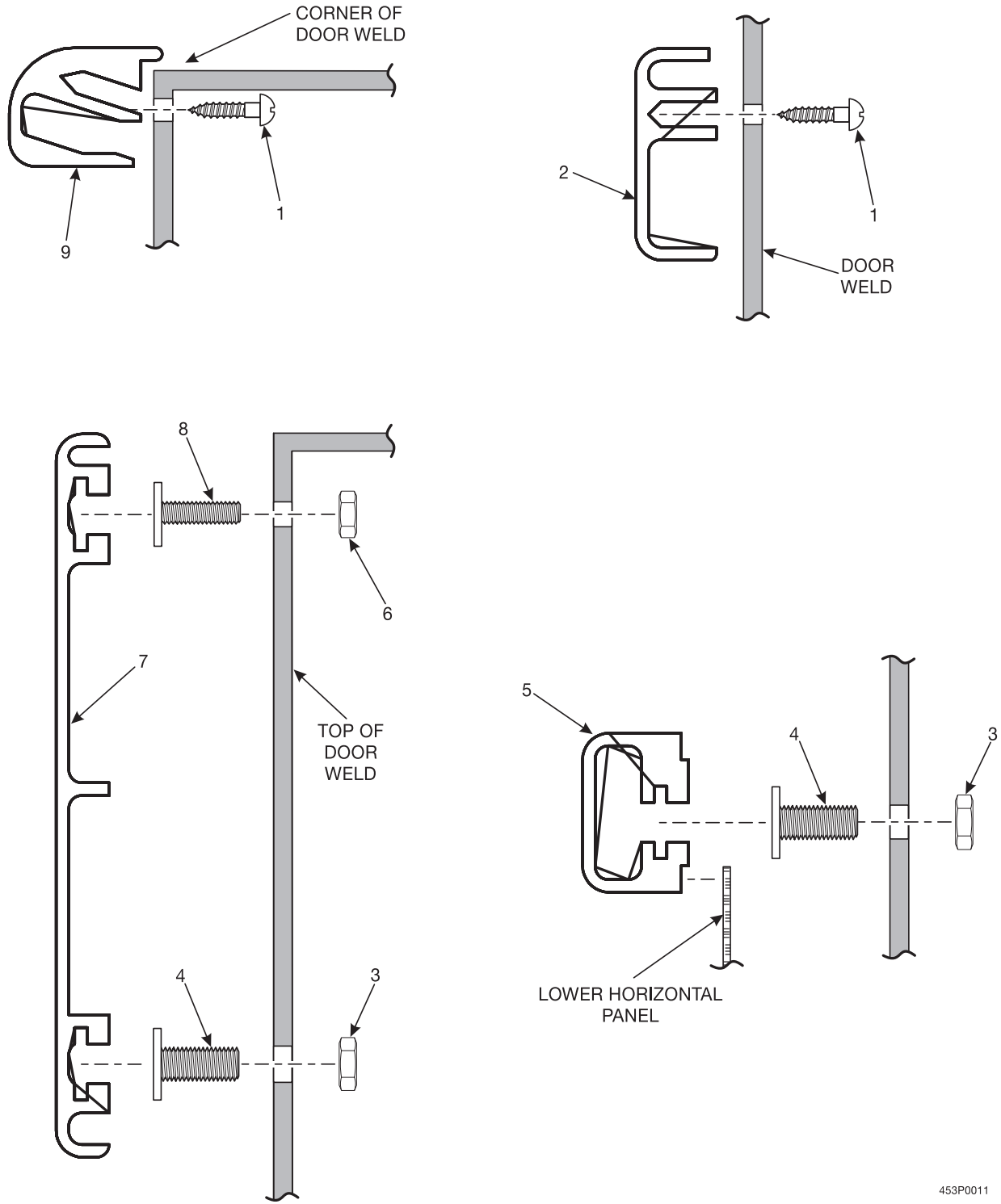
Figure 3. Door Trim and Panels

Snack Vendor Model 172 - 173 Parts Manual

TABLE 3. DOOR TRIM AND PANELS

INDEX	PART NUMBER	DESCRIPTION	QTY
1	1592069	TRIM - DOOR - SIDE - BLACK	2
2	1592038	PANEL - R.H. - LIGHT GRAY	1
	1592044	PANEL - R.H. - FLAT "T" BLACK	
	4532004	PANEL - R.H. - GRANADA WHITE (173)	
	1592075	PANEL - R.H. - NU WHITE	
3	1592042	PANEL - LOWER - FLAT "T" BLACK (172)	1
	1602036	PANEL - LOWER - MEDIUM GRAY (173)	
	1602041	PANEL - LOWER - FLAT "T" BLACK (173)	
	4532006	PANEL - LOWER - GRANADA WHITE (173)	
	1602060	PANEL - LOWER - NU WHITE (173)	
	1592040	PANEL - LOWER - MEDIUM GRAY (172)	
	1592088	PANEL - LOWER - NU WHITE (172)	
4	1602016	TRIM - DOOR - HORIZ - BLACK (173)	1
	1592067	TRIM - DOOR - HORIZ - BLACK (172)	
5	1592039	PANEL - L.H. - LIGHT GRAY	1
	4532005	PANEL - L.H. - GRANADA WHITE (173)	
	1592045	PANEL - L.H. - FLAT "T" BLACK	
	1592076	PANEL - L.H. - NU WHITE	
6	1592068	TRIM - DOOR - INSIDE - BLACK (173)	2
7	1602029	TRIM PANEL - TOP - MED. GRAY (173)	1
	1602066	TRIM PANEL - TOP - KLIX WHITE (173)	
	1602040	TRIM PANEL - TOP - FLAT "T" BLACK (173)	
	4532011	TRIM PANEL - TOP - GRANADA WHITE (173)	
	1592034	TRIM PANEL - TOP - MED. GRAY (172)	
	1592043	TRIM PANEL - TOP - FLAT "T" BLACK (172)	
	1592089	TRIM PANEL - TOP - KLIX WHITE (172)	

SnackVendor Model 172 - 173 Parts Manual



453P0011

Figure 4. Door Trim Detail

Snack Vendor Model 172 - 173 Parts Manual

TABLE 4. DOOR TRIM DETAIL

	PART NUMBER	DESCRIPTION	QTY.
1	G1472028	SCREW - #6 X .38 SHT METAL	32
2	1592068	TRIM - DOOR - INSIDE - BLACK (173)	2
3	9900081	NUT - #8-32 KEPS ZINC PLATED	15
4	2222110	T-BOLT #8-32 NC - 2 THD	15
5	1602016	TRIM - DOOR - HORIZ - BLACK (173)	1
	1592067	TRIM - DOOR - HORIZ - BLACK (172)	
6	9900078	NUT - #6-32 KEPS ZINC PLATED	3
7	1602029	TRIM PANEL - TOP - MED. GRAY (173)	1
	1602066	TRIM PANEL - TOP - KLIX WHITE (173)	
	1602040	TRIM PANEL - TOP - FLAT "T" BLACK (173)	
	4532011	TRIM PANEL - TOP - GRANADA WHITE (173)	
	1592034	TRIM PANEL - TOP - MED. GRAY (172)	
	1592043	TRIM PANEL - TOP - FLAT "T" BLACK (172)	
	1592089	TRIM PANEL - TOP - KLIX WHITE (172)	
8	1572060	T-BOLT #6-32 X 3/8	3
9	1592069	TRIM - DOOR - SIDE - BLACK	2

SnackVendor Model 172 - 173 Parts Manual

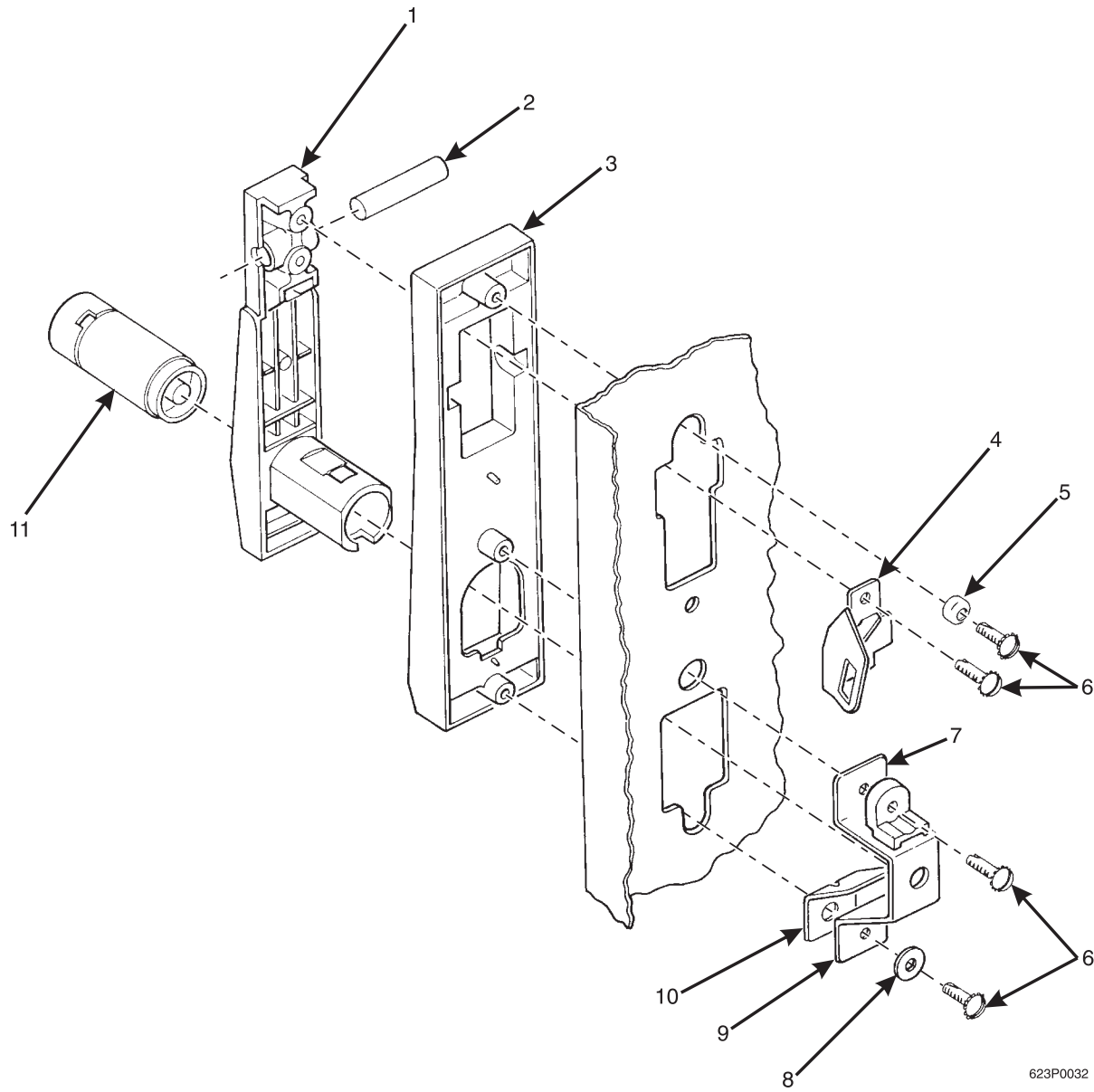


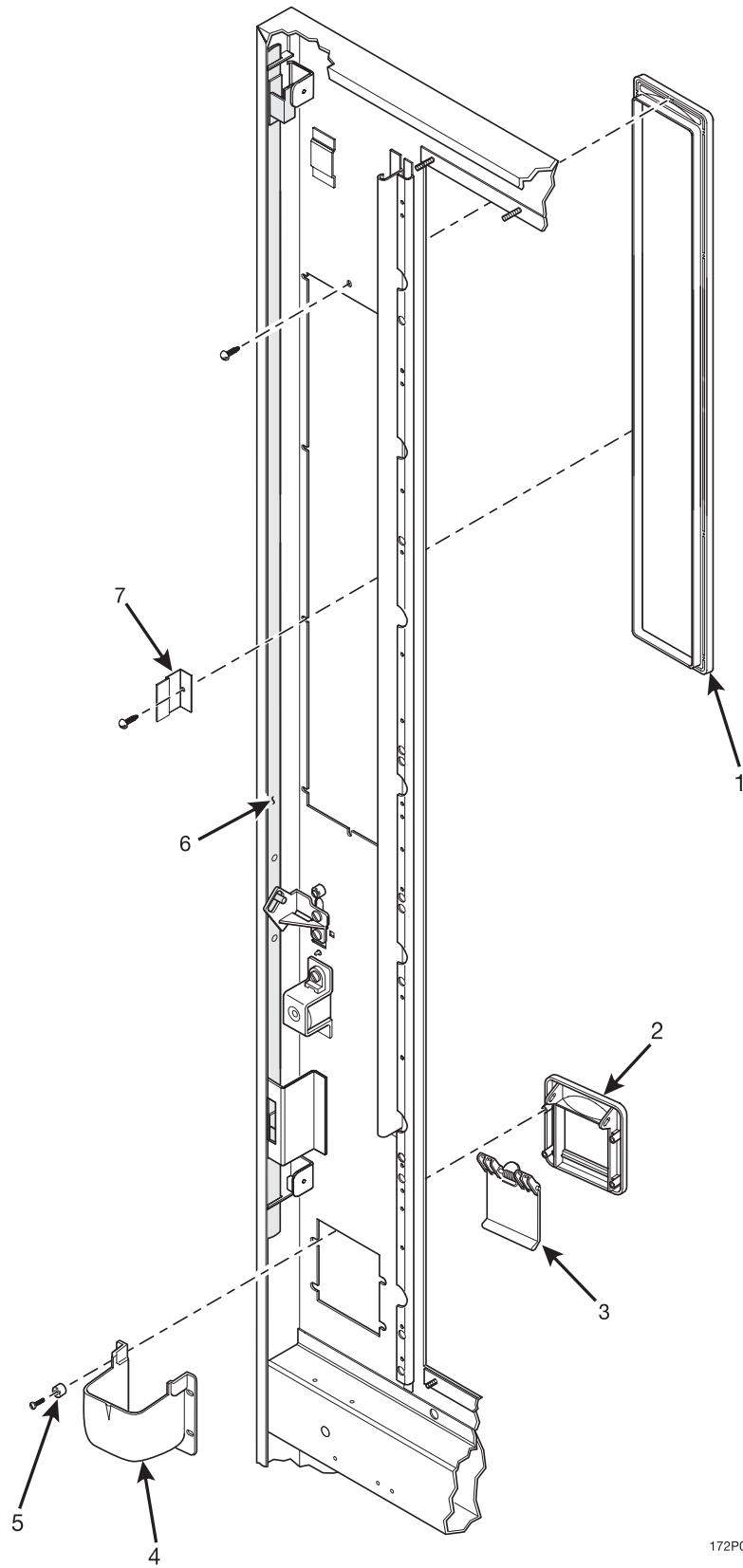
Figure 5. Door Lock and Handle Assembly

SnackVendor Model 172 - 173 Parts Manual

TABLE 5. DOOR LOCK AND HANDLE ASSEMBLY

INDEX	PART NUMBER	DESCRIPTION	QTY.
1	1172190	LEVER - LOCK	1
2	1302291	PIVOT - LEVER LOCK	1
3	1172191	BASE - LEVER LOCK	1
4	2272052	ACTUATOR ASSEMBLY - LOCK BAR	1
5	1302289	CUP SPACER	2
6	1217161	SCREW - #10-32 X 1/2 RHS W/LW	5
7	1302326	SHIELD - LATCH	1
8	9900121	WASHER - STEEL - 7/16 X .203 X .032	1
9	1302324	CATCH - DOOR LATCH	1
10	1302290	LATCH - LOCK LOWER	1
11	3112163	CYLINDER - VAN LOCK	1
	3112164	KEY - VAN LOCK	OPT.
	9992400	CYLINDER - FLEX ACE	
	9994XYZ	KEY - FLEX ACE (XYZ = YOUR KEY NUMBER)	

SnackVendor Model 172 - 173 Parts Manual



172P0005

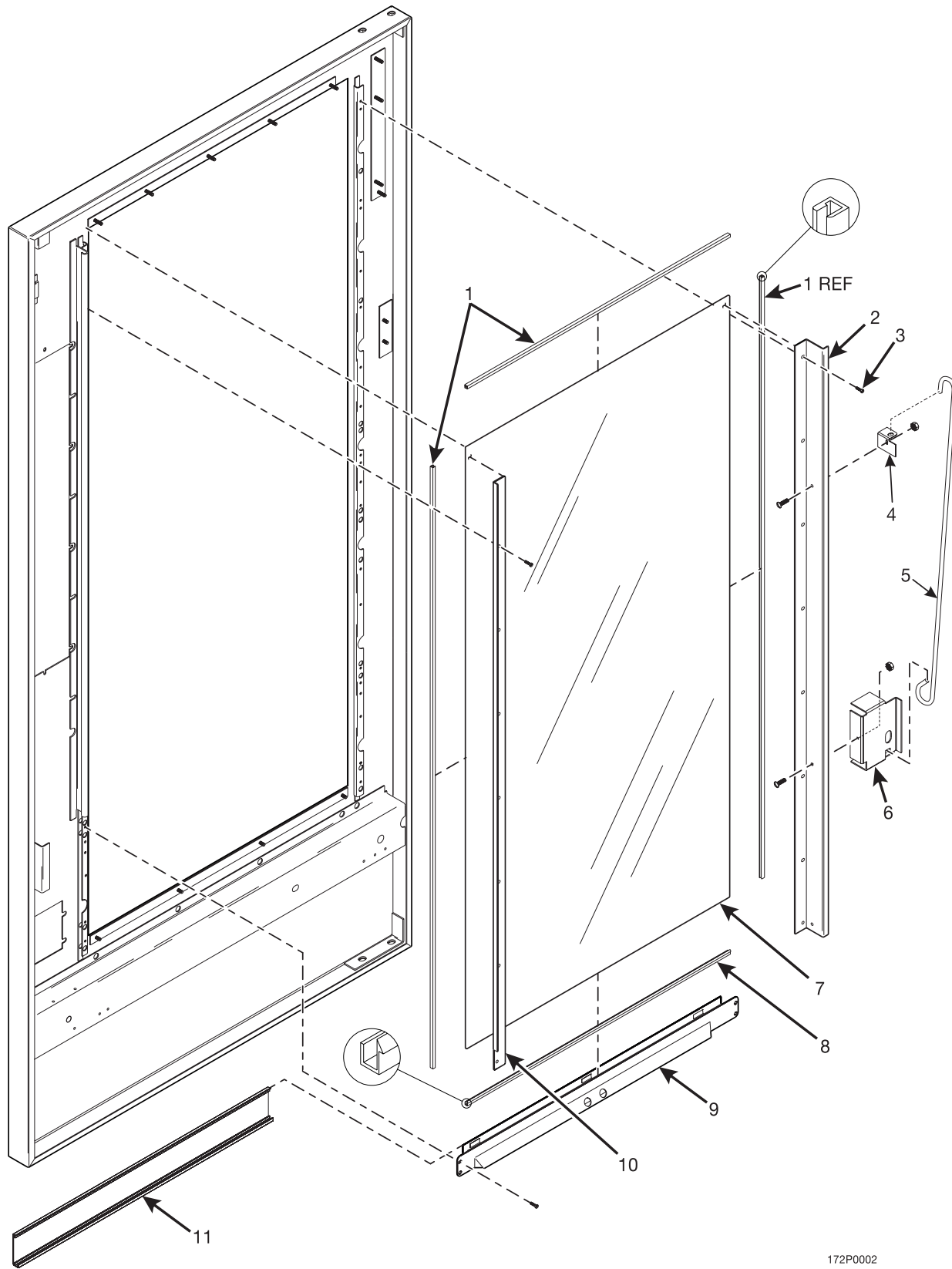
Figure 6. Door Miscellaneous

Snack Vendor Model 172 - 173 Parts Manual

TABLE 6. DOOR MISCELLANEOUS

INDEX	PART NUMBER	DESCRIPTION	QTY.
1	1575047	CASTING - MONETARY FRAME - BLACK RIDGE	1
2	1572011	TRIM - COIN CUP - BLACK	1
3	4245082	GATE - COIN RETURN	1
	4245083	SPRING - COIN RETURN DOOR	1
	4245084	SHAFT - DOOR - COIN RETURN	1
4	1572010	CUP - COIN RETURN	1
5	2302053	SPACER CUP	1
6	1472178	LOCK BAR ASSEMBLY	1
7	1472250	GUIDE - LOCK BAR	1

SnackVendor Model 172 - 173 Parts Manual



172P0002

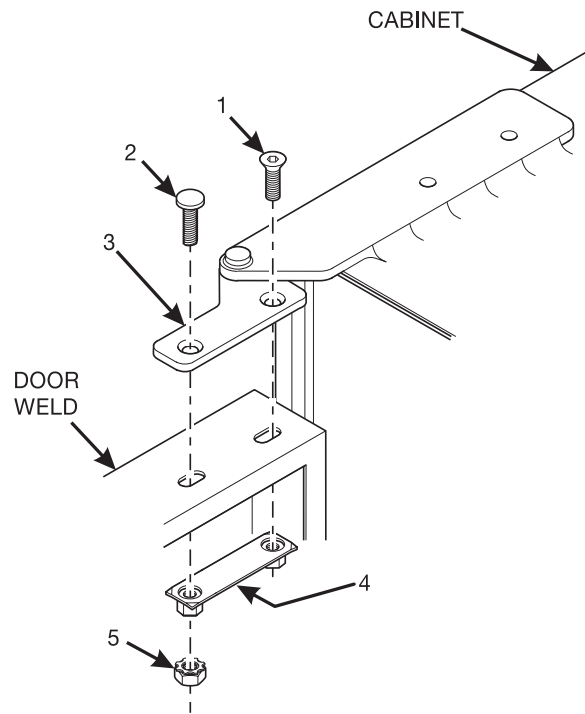
Figure 7. Door Glass

Snack Vendor Model 172 - 173 Parts Manual

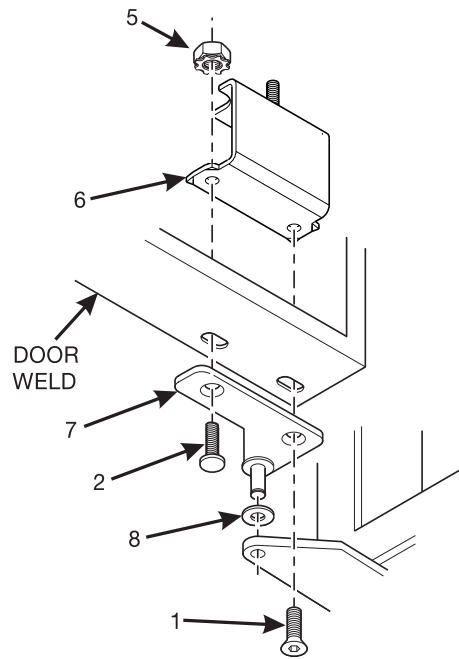
TABLE 7. DOOR GLASS

INDEX	PART NUMBER	DESCRIPTION	QTY
1	2222124	CHANNEL - GLASS - HOR & VERT 106.160" (173)	1
		CHANNEL - GLASS - HOR & VERT 112.281" (172)	
2	1572020	RETAINER - GLASS - LG. SNACK	1
3	G1472028	SCREW - #6 X .38 SHEET METAL	1
4	1572028	RETAINER - ROD SUPPORT - COMMON (WITH GUM & MINT ONLY)	1
5	1479140	ROD - SUPPORT - G & M (WITH GUM & MINT ONLY)	1
6	1572027	SUPPORT - PROP ROD - COMMON (WITH GUM & MINT ONLY)	1
7	1582075	GLASS - DISPLAY (173)	1
	1452059	GLASS - DISPLAY (172)	
8	1582074	CHANNEL - GLASS - LOWER (173)	1
	1402120	CHANNEL - GLASS - LOWER (172)	
9	4302026	PANEL ASSEMBLY - GLASS - LOWER (173)	1
	1472220	PANEL ASSEMBLY - GLASS - LOWER (172)	
10	1472048	PLATE - GLASS RETAINING	1
11	1602037	TRIM PANEL - GLASS - LOWER - BLACK (173)	1
	1592041	TRIM PANEL - GLASS - LOWER - BLACK (172)	

SnackVendor Model 172 - 173 Parts Manual



UPPER DOOR HINGE ASSY



453P0013

LOWER DOOR HINGE ASSY

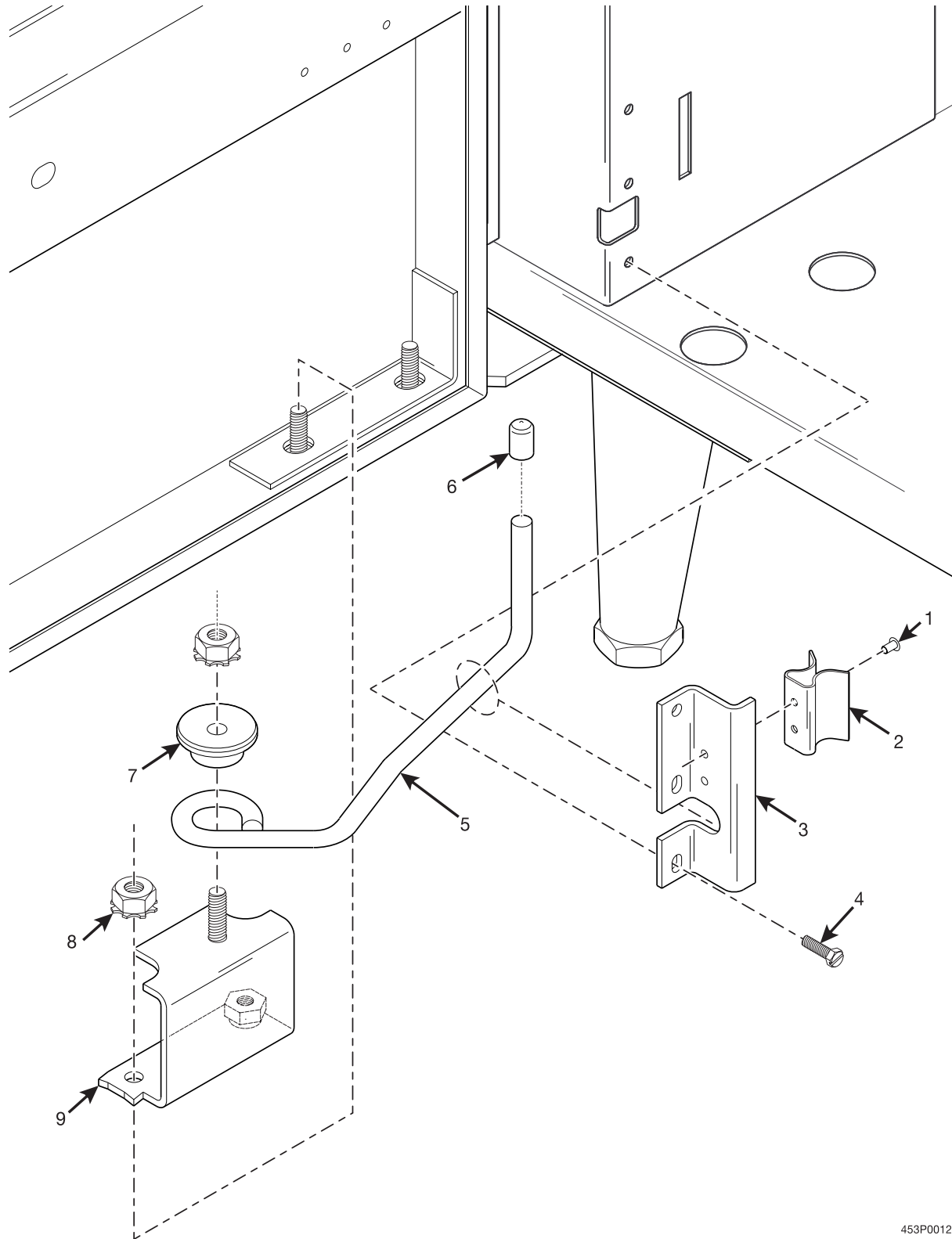
Figure 8. Upper and Lower Door Hinge Assemblies

SnackVendor Model 172 - 173 Parts Manual

TABLE 8. UPPER AND LOWER DOOR HINGE ASSEMBLIES

INDEX	PART NUMBER	DESCRIPTION	QTY.
1	6232036	SCREW - 5/16 - 18 X .75 FLT. HD SOCKET	2
2	6232208	WELD SCREW - #1/4 - 20 X 1" LG	2
3	1571098	HINGE ASSEMBLY - UPPER	1
4	6232028	PLATE ASSEMBLY - HINGE MOUNTING	1
5	1211105	1/4 - 20 KEPS NUT EXT LW ZP	2
6	1572007	WELD ASSEMBLY - DOOR CHECK (SEE FIGURE 9)	1
7	6232031	HINGE ASSEMBLY - DOOR - LOWER	1
8	4242145	BEARING - THRUST - LOWER HINGE	1

SnackVendor Model 172 - 173 Parts Manual



453P0012

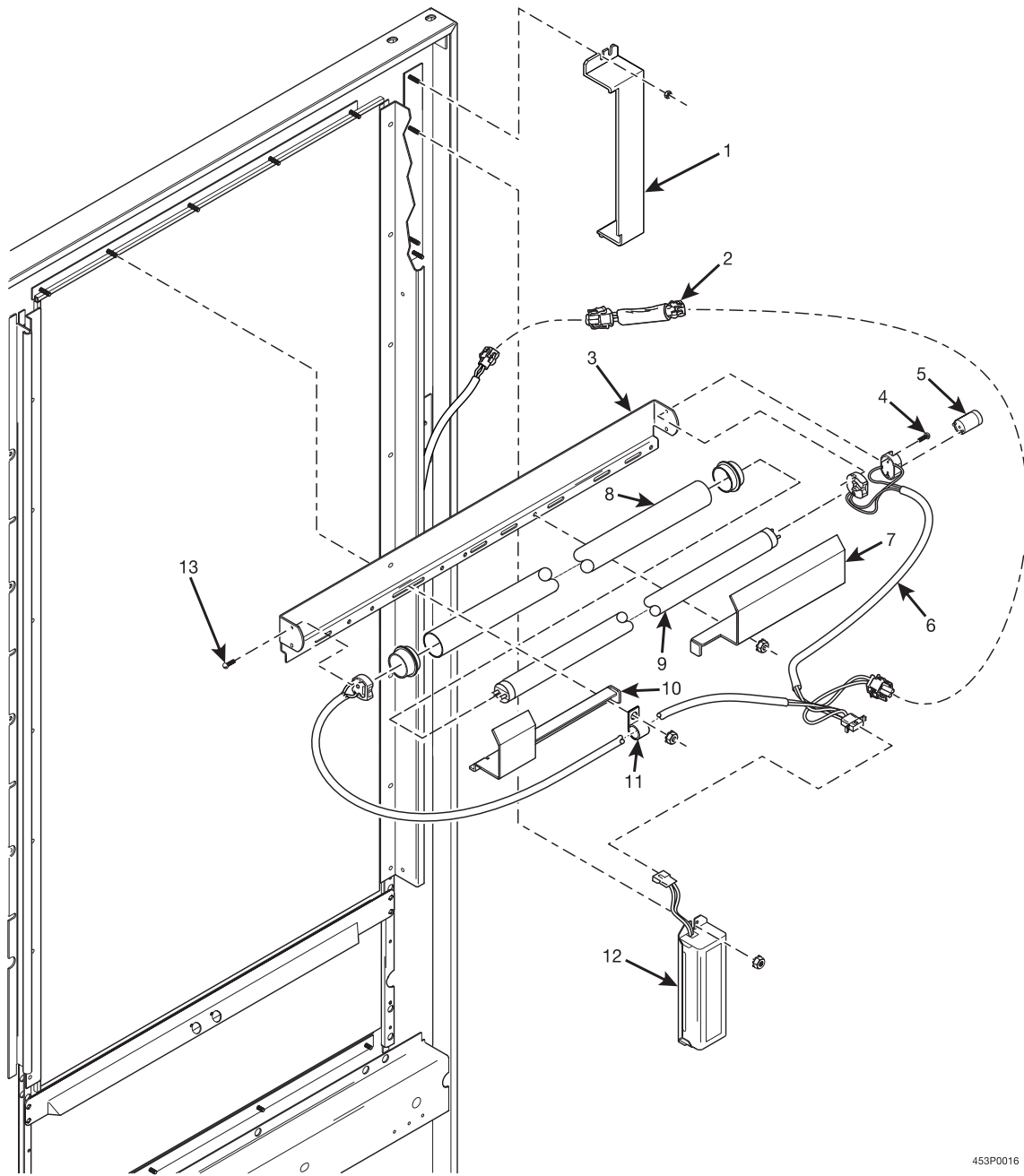
Figure 9. Door Check

SnackVendor Model 172 - 173 Parts Manual

TABLE 9. DOOR CHECK

INDEX	PART NUMBER	DESCRIPTION	QTY.
1	1571091	RIVET - SEMI - TUBULAR - .125 D X .218	2
2	1451041	SPRING - DOOR CHECK	1
3	1572007	WELD ASSEMBLY - DOOR CHECK	1
4	1472132	SCREW - #6-32 X .25 PHS T/C	3
5	1572009	ROD - DOOR CHECK	1
6	1571037	CAP - VINYL - .281 ID X .50 LONG	1
7	1142017	BUSHING - DOOR CHECK	1
8	1211105	1/4 - 20 KEPS NUT EXT LW ZP	2
9	1572007	WELD ASSEMBLY - DOOR CHECK	1

SnackVendor Model 172 - 173 Parts Manual



453P0016

Figure 10. Fluorescent Light

SnackVendor Model 172 - 173 Parts Manual

TABLE 10. FLUORESCENT LIGHT

INDEX	PART NUMBER	DESCRIPTION	QTY.
1	1572047	COVER - BALLAST - EUROPE	1
2	6332010	SUPPRESSION ASSEMBLY - 230 V.	1
3	1582025	BRACKET - LIGHT - COMMON - 20 WATT	1
4	3107171	SCREW - #4-36 X 5/8 RHS	2
5	2222095	FLUORESCENT LAMP STARTER	1
6	1709015	HARNESS - DOOR - FLUORESCENT LIGHT	1
7	1572045	COVER - LIGHT SOCKET - LEFT	1
8	4532008	SAFETY SLEEVE ASSEMBLY	1
9	1122138	FLUORESCENT LAMP	1
10	1572044	COVER - LIGHT SOCKET - RIGHT	1
11	1452139	RETAINER - HARNESS	2
12	1572016	BALLAST ASSEMBLY - 20 W - 230 V.	1
13	1452076	SCREW - #4-36 X .432 RHS	2

SnackVendor Model 172 - 173 Parts Manual

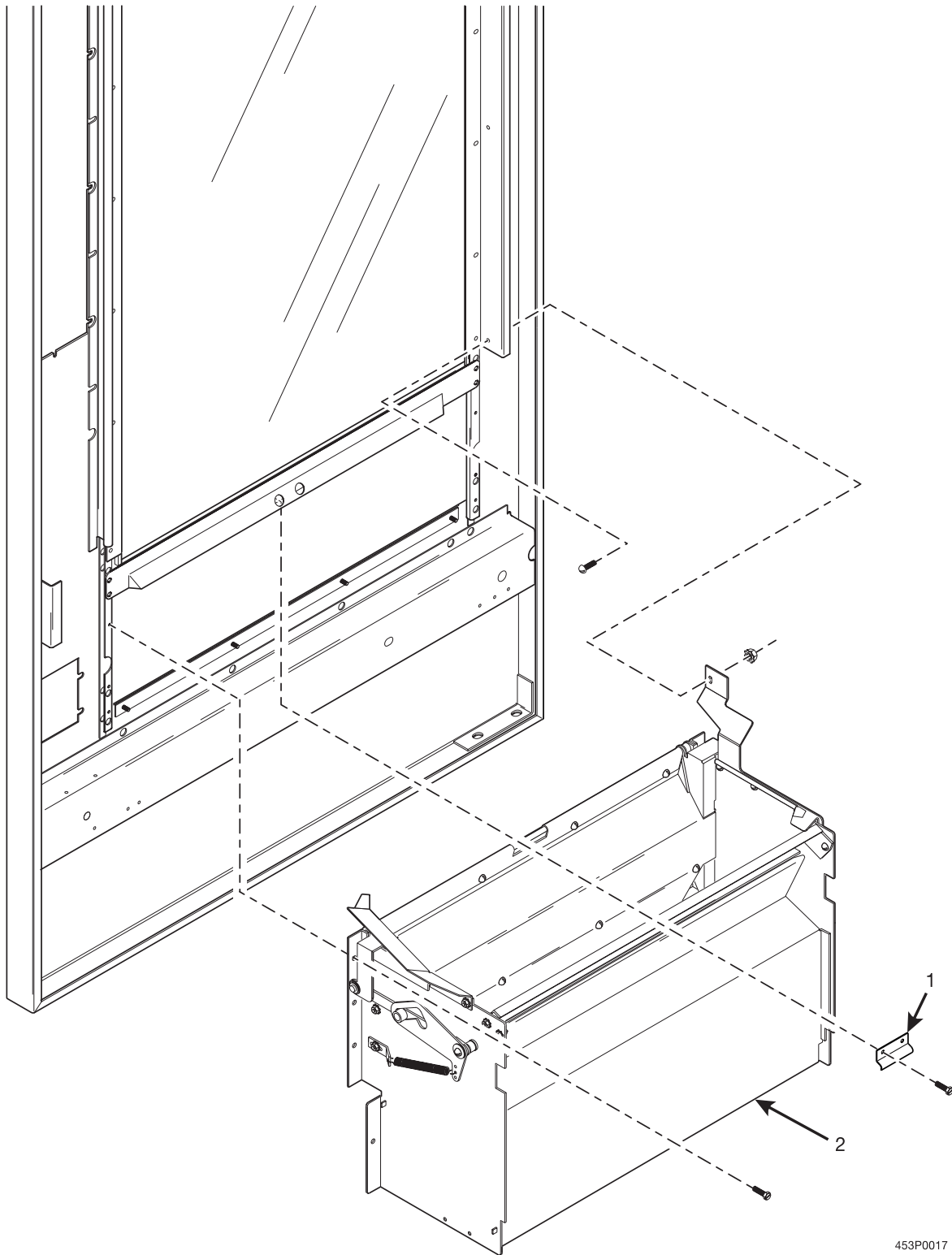


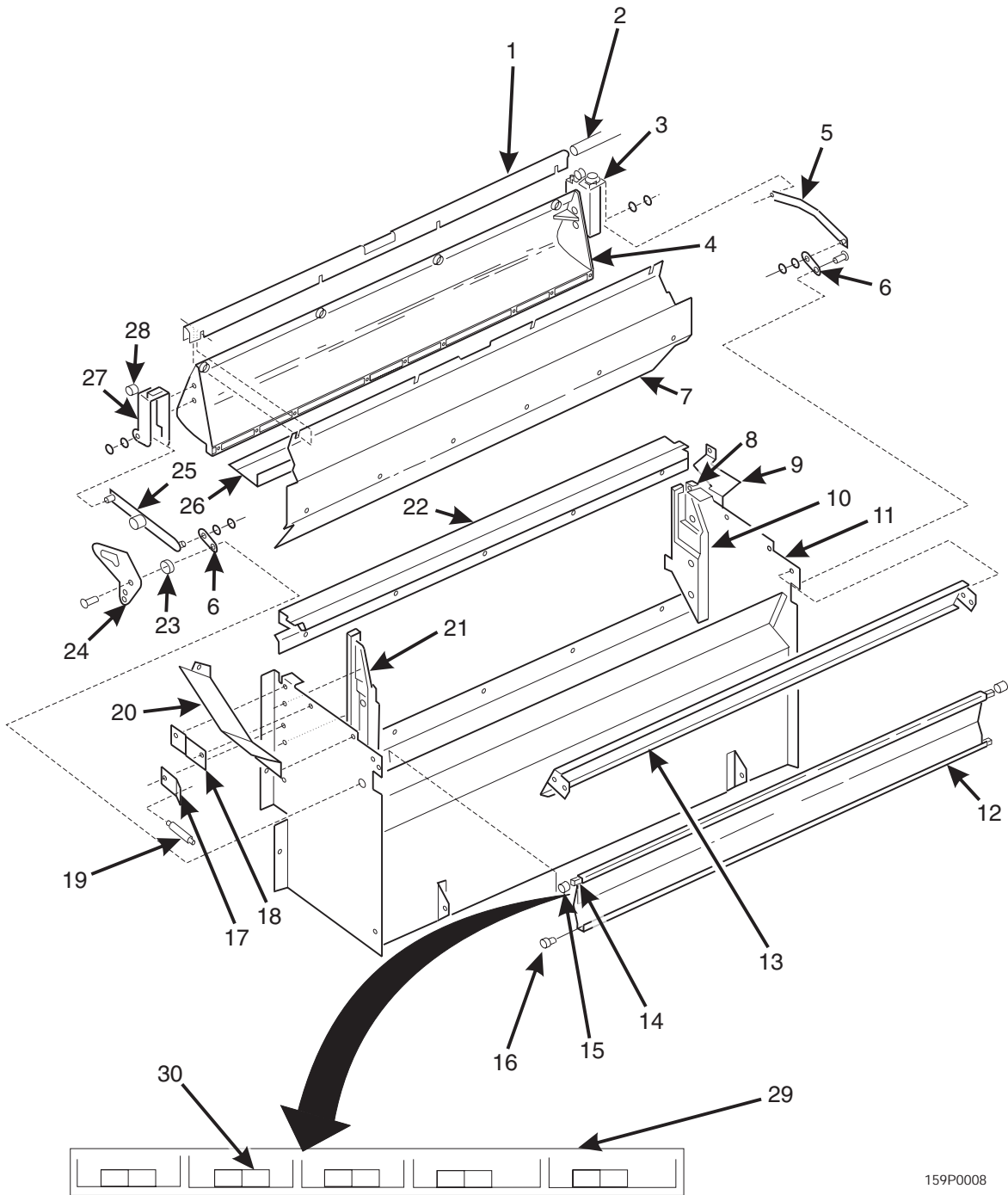
Figure 11. Delivery Pan Assembly (Part 1 of 2)

SnackVendor Model 172 - 173 Parts Manual

TABLE 11. DELIVERY PAN ASSEMBLY (PART 1 OF 2)

INDEX	PART NUMBER	DESCRIPTION	QTY.
1	1472142	RETAINER - DOOR PIVOT	1
2	1602039	DELIVERY PAN ASSEMBLY - NV SPCL. PR. (173) (SEE FIGURE 12)	1
	1572043	FLAP DELIVERY PAN ASSEMBLY (172) (SEE FIGURE 12)	

Snack Vendor Model 172 - 173 Parts Manual



159P0008

Figure 12. Delivery Pan Assembly (Part 2 of 2)

Snack Vendor Model 172 - 173 Parts Manual

TABLE 12. DELIVERY PAN ASSEMBLY (PART 2 OF 2)

INDEX	PART NUMBER	DESCRIPTION	QTY
1	1462035	CHANNEL - DOOR (173)	1
	1412028	CHANNEL - DOOR (172)	
2	1482002	SHAFT - DOOR - PIVOT (173)	1
	1472228	SHAFT - DOOR - PIVOT (172)	
3	1482252	ACTUATOR - DELIVERY DOOR - L.H. (173)	1
	1472272	ACTUATOR - DELIVERY DOOR - L.H. (172)	
4	1582024	DOOR - DELIVERY (173)	1
	1472137	DOOR - DELIVERY (172)	
5	4402017	ACTUATOR ASSEMBLY	1
6	1472145	ACTUATOR - REAR PIVOT	2
7	1482163	LINER - DOOR - PILFERAGE (173)	
	1472108	LINER - DOOR - PILFERAGE (172)	
8	1472069	BRACKET - DOOR - PIVOT - L.H.	
9	1602014	DEFLECTOR - L.H. - SMALL	
10	1602034	FILLER - LEFT (173)	1
	1412023	FILLER - LEFT (172)	
11	1602038	WELD ASSEMBLY - DELIVERY PAN (173)	1
	1472288	WELD ASSEMBLY - DELIVERY PAN (172)	
12	1482171	ASSEMBLY - REAR - DELIVERY DOOR (173)	1
	1472138	ASSEMBLY - REAR - DELIVERY DOOR (172)	
13	1482159	FILLER - DELIVERY PAN (WITHOUT GUM & MINT)	1
14	1472087	WASHER - .38 I.D. X .56 O.D.	2
15	1472083	SPACER	2
16	4042556	CANOE CLIP	2
17	2342110	BRACKET - SPRING	1
18	1472068	BRACKET - DOOR PIVOT - R.H.	1
19	4246044	SPRING - ELEVATOR GUIDE ARM	1
20	1572029	DEFLECTOR - PRODUCT - R.H.	1
21	1412022	FILLER - RT.	1
22	1482187	PAN - DELIVERY - FRONT (173)	1
	1472200	PAN - DELIVERY - FRONT (172)	
23	2342109	BUSHING - DELIVERY LINKAGE	1
24	4402016	PLATE - DOOR RETENTION	1
25	1472156	ACTUATOR ASSEMBLY - RIGHT	1
26	1462073	ANGLE - DELIVERY DOOR (173)	1
	1412047	ANGLE - DELIVERY DOOR (172)	
27	1482251	ACTUATOR - DELIVERY DOOR R.H. (173)	1
	1472271	ACTUATOR - DELIVERY DOOR R.H. (172)	
28	1472219	SPACER	2
29	1472088	LABEL - GUM & MINT SELECTIONS	1
30	1472105	PRICE LABELS - GUM & MINT (\$ AND ¢)	1

Snack Vendor Model 172 - 173 Parts Manual

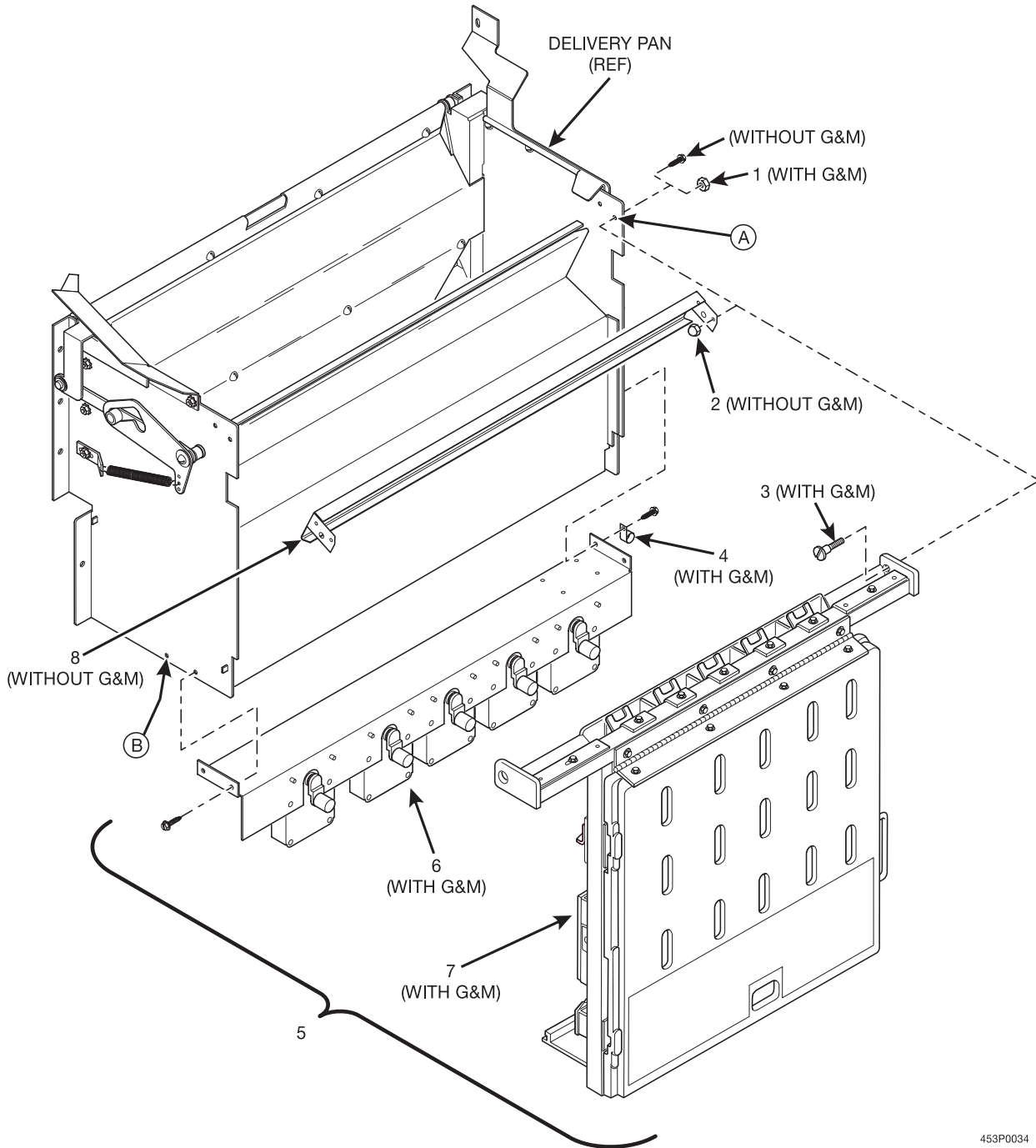


Figure 13. Gum and Mint Unit (Part 1 of 2)

Snack Vendor Model 172 - 173 Parts Manual

TABLE 13. GUM AND MINT UNIT (PART 1 OF 2)

INDEX	PART NUMBER	DESCRIPTION	QTY
1	1407048	NUT - 10-32 M/F #21TWA1032 ZP (WITH GUM & MINT)	
2	3108030	ACORN NUT BRASS NICKEL 8-32 (WITHOUT GUM & MINT)	
3	1479052	STUD - PIVOT - GUM & MINT	
4	1452139	RETAINER - HARNESS (WITH GUM & MINT)	
5	1577000	GUM & MINT COLUMN (172) (SEE FIGURE 14)	
	1587000	GUM & MINT COLUMN (173) (SEE FIGURE 14)	
6	1479127	ANGLE & MOTOR ASSEMBLY (172) (SEE FIGURE 14)	
	1489004	ANGLE & MOTOR ASSEMBLY (172) (SEE FIGURE 14)	
7	1479136	FRAME ASSEMBLY - GUM & MINT (172) (SEE FIGURE 14)	
	1489008	FRAME ASSEMBLY - GUM & MINT (173) (SEE FIGURE 14)	
	1479130	MAGAZINE ASSEMBLY - GUM & MINT (172) (SEE FIGURE 14)	
	1489006	MAGAZINE ASSEMBLY - GUM & MINT (173) (SEE FIGURE 14)	
	1472082	FILLER - DELIVERY PAN (172) (WITHOUT GUM & MINT)	
8	1482159	FILLER - DELIVERY PAN (173) (WITHOUT GUM & MINT)	

SnackVendor Model 172 - 173 Parts Manual

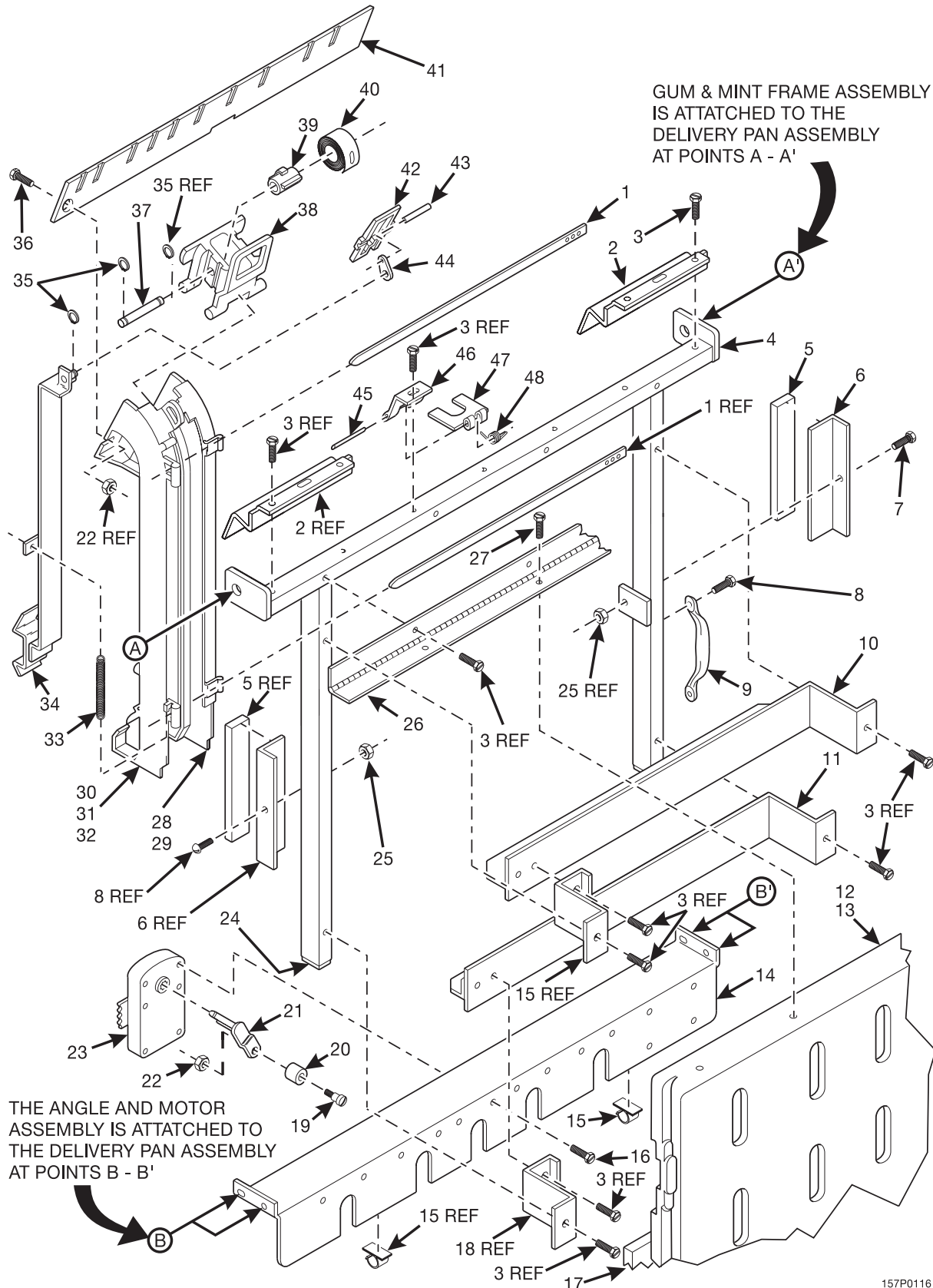


Figure 14. Gum and Mint Unit (Part 2 of 2)

157P0116

Snack Vendor Model 172 - 173 Parts Manual

TABLE 14. GUM AND MINT UNIT (PART 2 OF 2)

INDEX	PART NUMBER	DESCRIPTION	QTY.
-	1577000	GUM & MINT COLUMN (172)	-
	1587000	GUM & MINT COLUMN (173)	
1	1579053	RETAINER	3
2	1479103	FILLER - GUM & MINT	2
3	1451097	SCREW - #8-32 X .31 HEX HD. TF	
4	1479136	FRAME ASSEMBLY - GUM & MINT (172)	1
	1489008	FRAME ASSEMBLY - GUM & MINT (173)	
5	3122056	MAGNET RETAINER - COIN CHANGER	2
6	1479117	ANGLE - MAGNET	2
7	9900201	SCREW - #8-32 X 5/16 RHS SEMS MACH ZINC	2
8	4041053	SCREW - #10-32 X 3/8 PHS T/C W/LW	2
9	1479139	PULL - DOOR	1
10	1479089	SUPPORT ASSEMBLY - MAGAZINE - UPPER	1
11	1479092	SUPPORT ASSEMBLY - MAGAZINE - LOWER	1
12	1479101	COVER - GUM & MINT	1
13	1479124	LABEL - LOADING - GUM & MINT	1
14	1479102	ANGLE - MOTOR (172)	1
	1489005	ANGLE - MOTOR (173)	
15	6131143	CABLE CLAMP - RICHCO #KKC6	2
16	1457027	SCREW - #8-32 X .81 HEX HD. - T/F	10
17	1479119	MAGNET - RETAINER	2
18	1479095	BRACKET - MAGAZINE	2
19	1479062	STUD - DRIVE ARM	5
20	1479063	ROLLER - DRIVE ARM	5
21	1479145	ARM - DRIVE MOTOR	5
22	9900081	NUT - #8-32 KEPS ZINC PLATE	5
23	1577035	MOTOR & PC BOARD ASSEMBLY	5
24	1479120	CAPLUG - REC. 1/2 X 1	2
25	1412046	NUT - #8-32 MF 23TW832 BLOX	2
26	1479104	HINGE - COVER	1
27	1437204	SCREW - #8-10 X .38 HEX HD. TF	4
28	1479075	CHANNEL - GUM & MINT - LEFT	5
29	1479064	SPACER - COLUMN - G & M	2
30	1479076	CHANNEL - G & M RIGHT - SMALL	3
31	1479077	CHANNEL - G & M RIGHT - LARGE	2
32	1572040	LABEL - LOADING LINE - G & M	1
33	4246307	SPRING - HORIZONTAL SELECTOR ARM	5
34	1479123	DRIVE BAR & STUD ASSEMBLY	5

Snack Vendor Model 172 - 173 Parts Manual

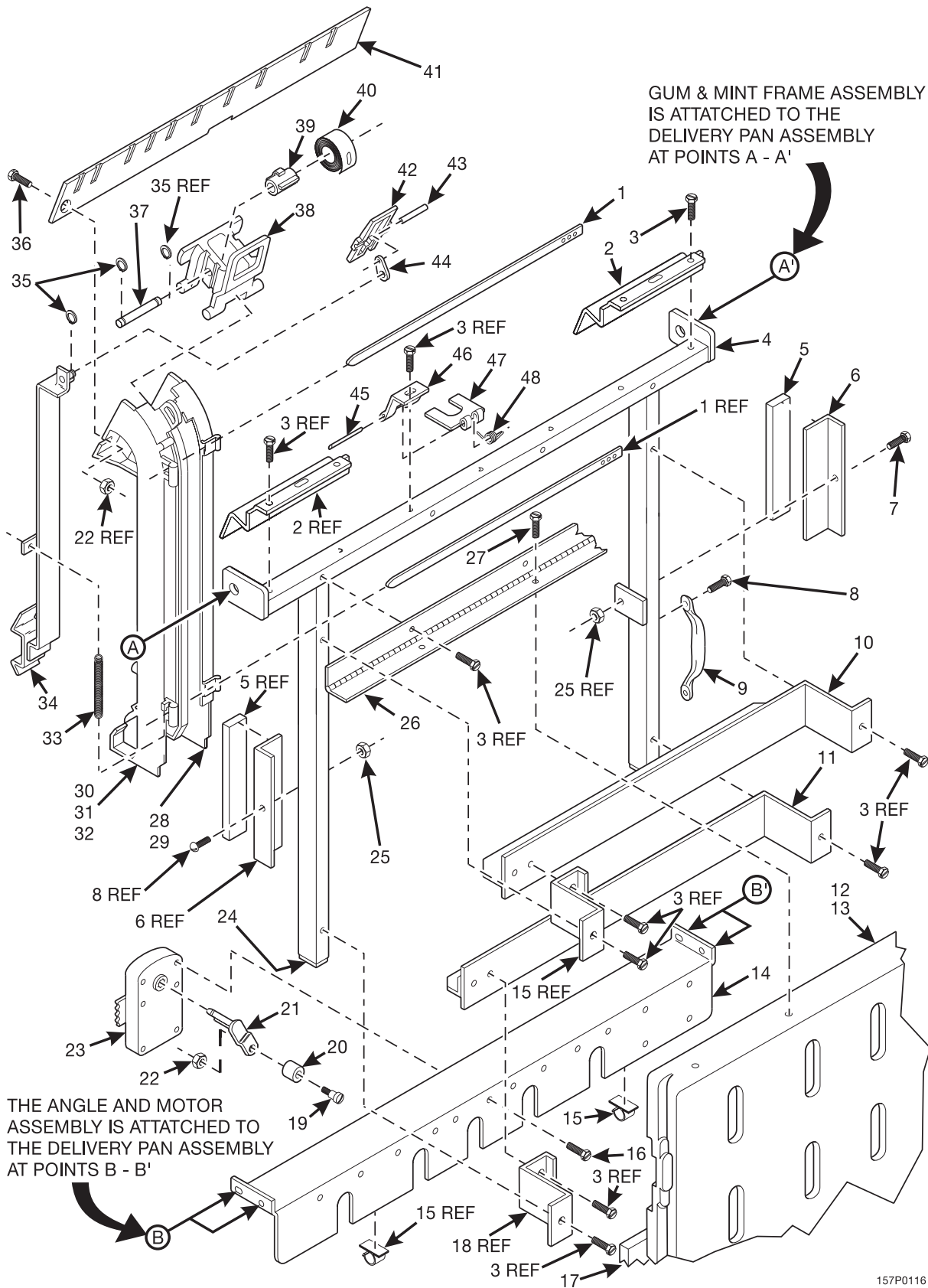


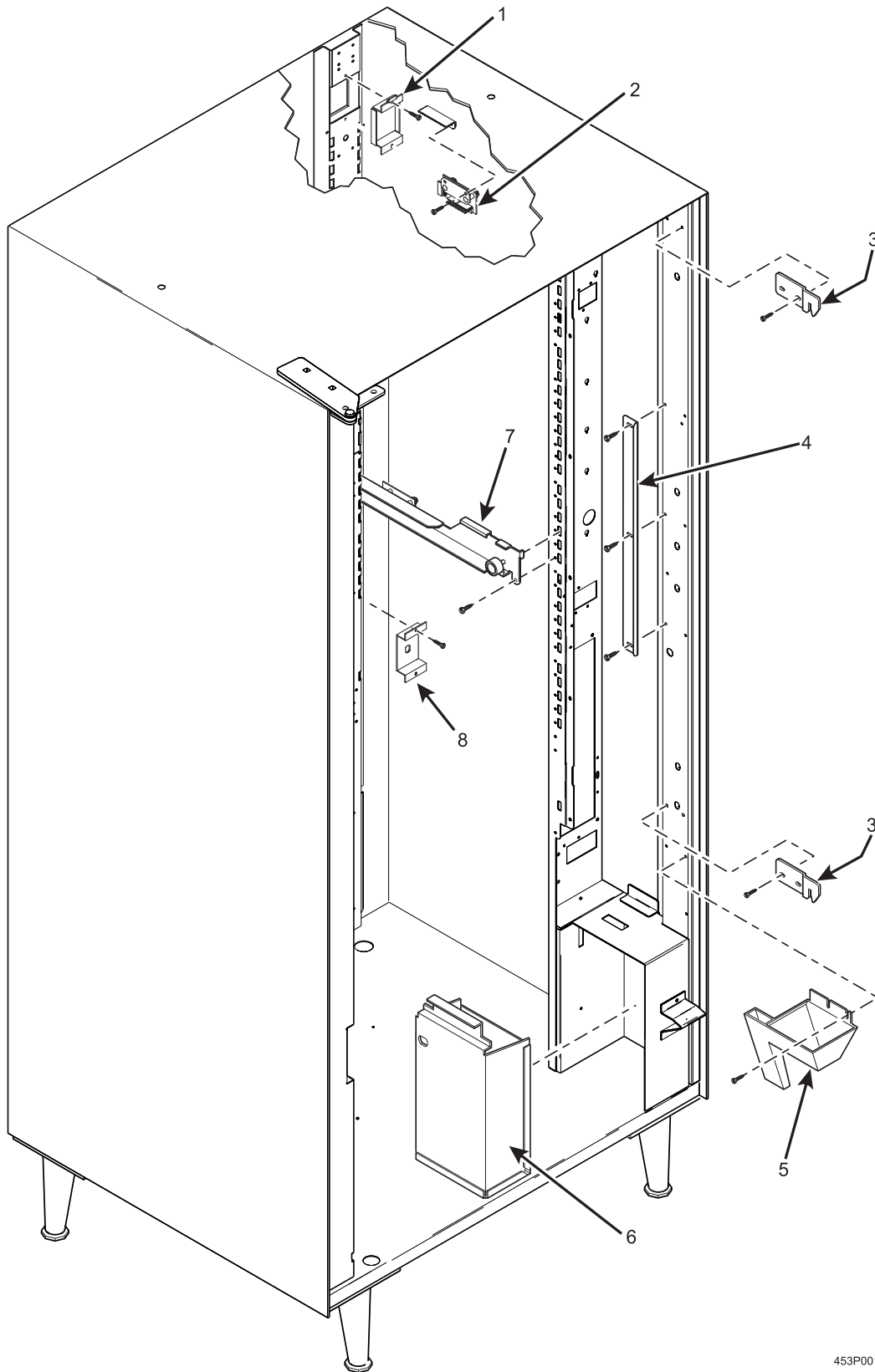
Figure 14. Gum and Mint Unit (Part 2 of 2) (Continued)

Snack Vendor Model 172 - 173 Parts Manual

TABLE 14. GUM AND MINT UNIT (PART 2 OF 2) (CONTINUED)

INDEX	PART NUMBER	DESCRIPTION	QTY.
35	9900425	RETAINING RING REINF. E TYPE .250	15
36	9900020	SCREW - #8-32 X 1/2 RHS MACH. ZINC	1
37	1479099	PIN - PUSHER	5
38	1479079	PUSHER	5
39	1479080	SPOOL - SPRING	5
40	1479106	SPRING - PUSHER	5
41	1479105	WINDOW - GUM & MINT	1
42	1479078	EJECTOR - GUM & MINT	5
43	1479098	PIN - EJECTOR	5
44	1479097	LINK - EJECTOR	5
45	1479083	PIN - HINGE	5
46	1479082	HINGE - BACK	5
47	1479081	HINGE - FRONT	5
48	1479084	SPRING - HINGE	5

SnackVendor Model 172 - 173 Parts Manual



453P0014

Figure 15. Cabinet - Loose Parts

SnackVendor Model 172 - 173 Parts Manual

TABLE 15. CABINET - LOOSE PARTS

	PART NUMBER	DESCRIPTION	
1	1471090	COVER - FAN HOLE (SEE FIGURE 16)	1
2	1596012	PCB ASSEMBLY - TRAY (SEE FIGURE 16)	
	1571175	PLATE - PCB RAIL - MOUNTING (SEE FIGURE 16)	1
3	1571074	LOCK - ARM CABINET	1
4	1571022	STOP - MONETARY PANEL	2
5	6231242	CHUTE - PAYOUT	1
6	1571029	MONEY BOX ASSEMBLY	1
7	-	TRAY GUIDE RAIL ASSEMBLY - R.H. (SEE FIGURE 16)	1
	1701006	TRAY GUIDE RAIL ASSEMBLY - L.H. (NOT SHOWN	-
8	4527034	BRACKET - MOUNTING - POWER CORD - WITH NOTCH (USED WITH WEDGE OPTION)	-
	1471065	BRACKET - MOUNTING - POWER CORD - WITHOUT NOTCH (NOT SHOWN) (USED WHEN WEDGE OPTION IS NOT USED)	

SnackVendor Model 172 - 173 Parts Manual

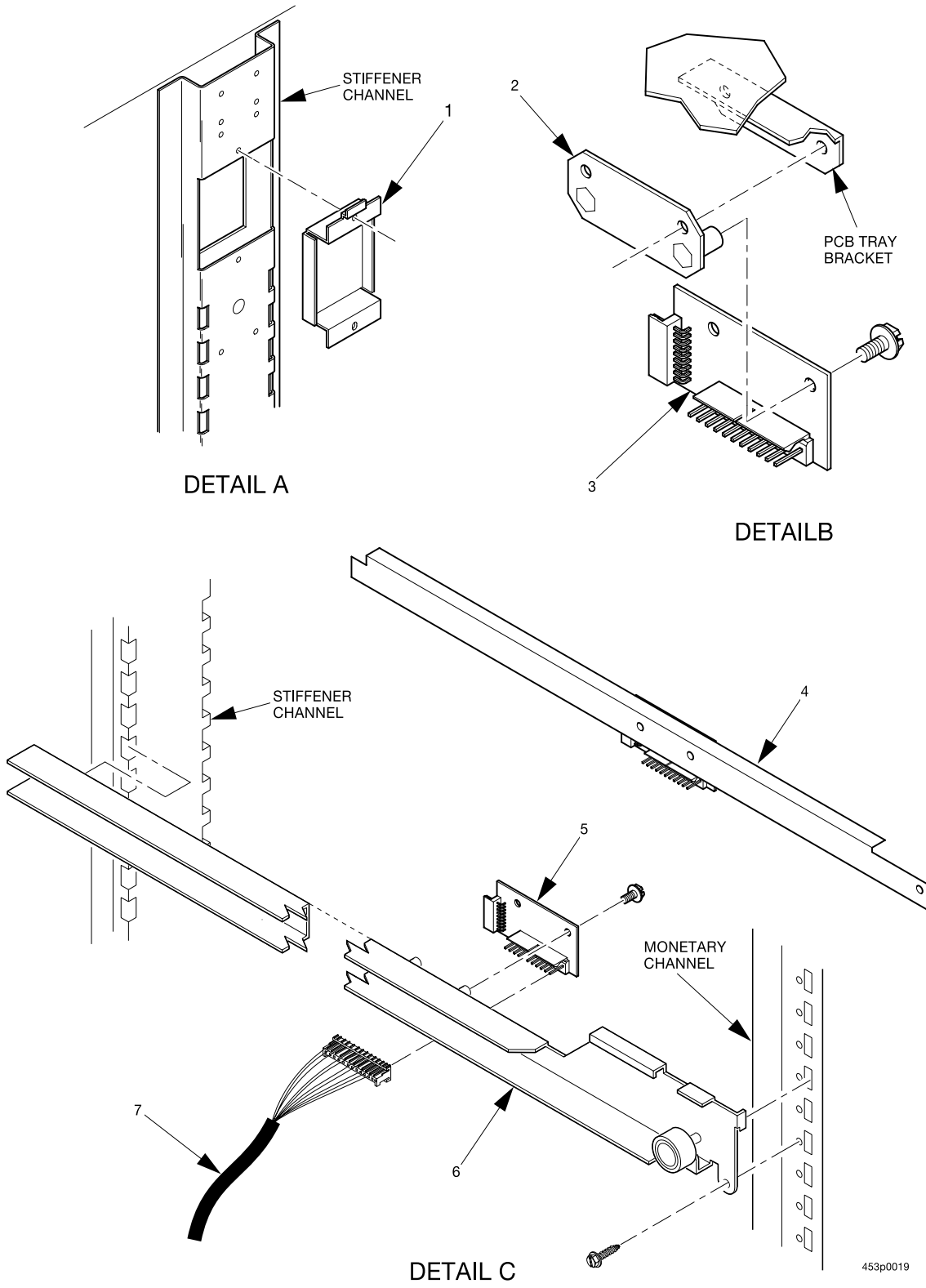


Figure 16. Cabinet Details

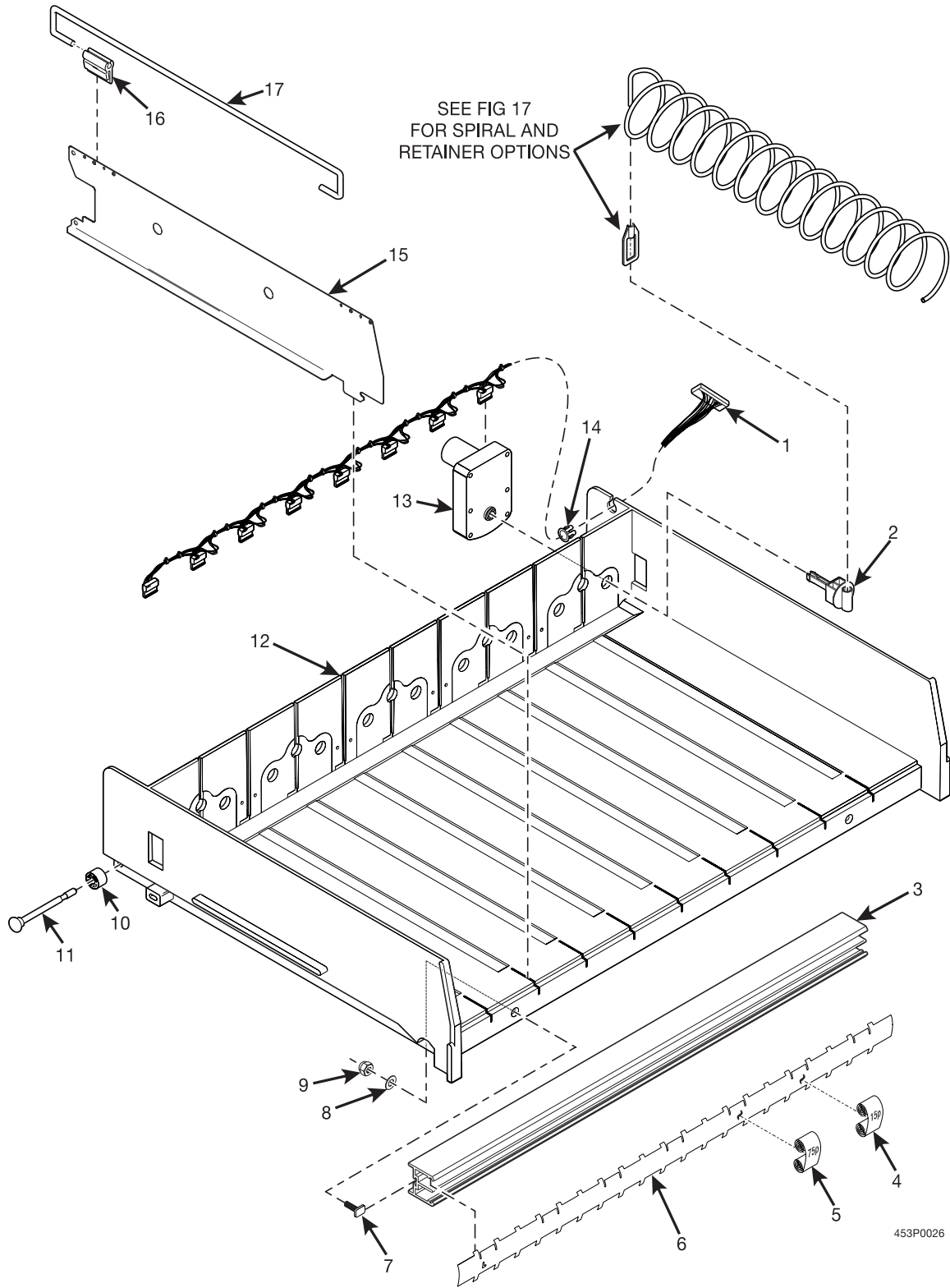
SnackVendor Model 172 - 173 Parts Manual

TABLE 16. CABINET DETAILS

INDEX	PART NUMBER	DESCRIPTION	QTY.
1	1471090	COVER - FAN HOLE	1
2	1571175	PLATE - PCB RAIL MOUNTING	-
3	1596012	PCB ASSEMBLY - TRAY (USED WITH TOP TRAY OR WEDGE UNIT)	-
4	4527033	RAIL ASSEMBLY - PCB MOUNTING	*
5	1701009	TRAY GUIDE RAIL/PCB ASSEMBLY - R.H.	-
6	1701005	TRAY GUIDE RAIL ASSEMBLY - R.H. (USED WITH BOTTOM TRAY)	-
7	1709018	HARNESS - TRAY EXTENSION (ACCESSORY)	OPT.

* 1 PER WEDGE CHANNEL ASSEMBLY

Snack Vendor Model 172 - 173 Parts Manual



1487009
Figure 17. Candy Tray Assembly

Snack Vendor Model 172 - 173 Parts Manual

TABLE 17. CANDY TRAY ASSEMBLY

INDEX	PART NUMBER	DESCRIPTION	QTY.
-	4527001	CANDY TRAY ASSEMBLY (172)	OPT.
	4537001	CANDY TRAY ASSEMBLY (173)	
1	1709014	HARNESS - 10 MOTOR TRAY - 28" (172)	1
	1709013	HARNESS - 8 MOTOR TRAY - 28" (173)	
2	1477113	COUPLING - SPIRAL	-
3	1477134	RAIL - PRICE & SELECTION (172)	1
	1487009	RAIL - PRICE & SELECTION (173)	
4	1472274	PRICE ROLL - UK - 1£/10£, 8P/35P	-
5	1472273	PRICE ROLL - UK - 1£/10£, 40P/95P	
6	1487016	HOLDER - PRICE SELECTION (173)	1
	1477157	HOLDER - PRICE SELECTION (172)	
7	2222031	TEE BOLT - TRIM	3
8	5560113	WASHER HOPPER RELEASE	2
9	9900030	NUT #8-32 SELF LOCKING	3
10	1477148	ROLLER - TRAY	2
11	1477097	AXLE - TRAY ROLLER	2
12	1707001	TRAY - 5/10 DIVISION (172)	1
	1717001	TRAY - 4/8 DIVISION (173)	
13	1577035	MOTOR & PCB ASSEMBLY (172)	10
		MOTOR & PCB ASSEMBLY (173)	8
14	3502097	BUSHING #OCB-500	1
15	1707003	WALL - TRAY (172)	9
		WALL - TRAY (173)	7
16	1707030	MOUNT - PRODUCT RETAINER	OPT.
17	1707035	RETAINER - PRODUCT ADJ. - BLACK	OPT.

Snack Vendor Model 172 - 173 Parts Manual

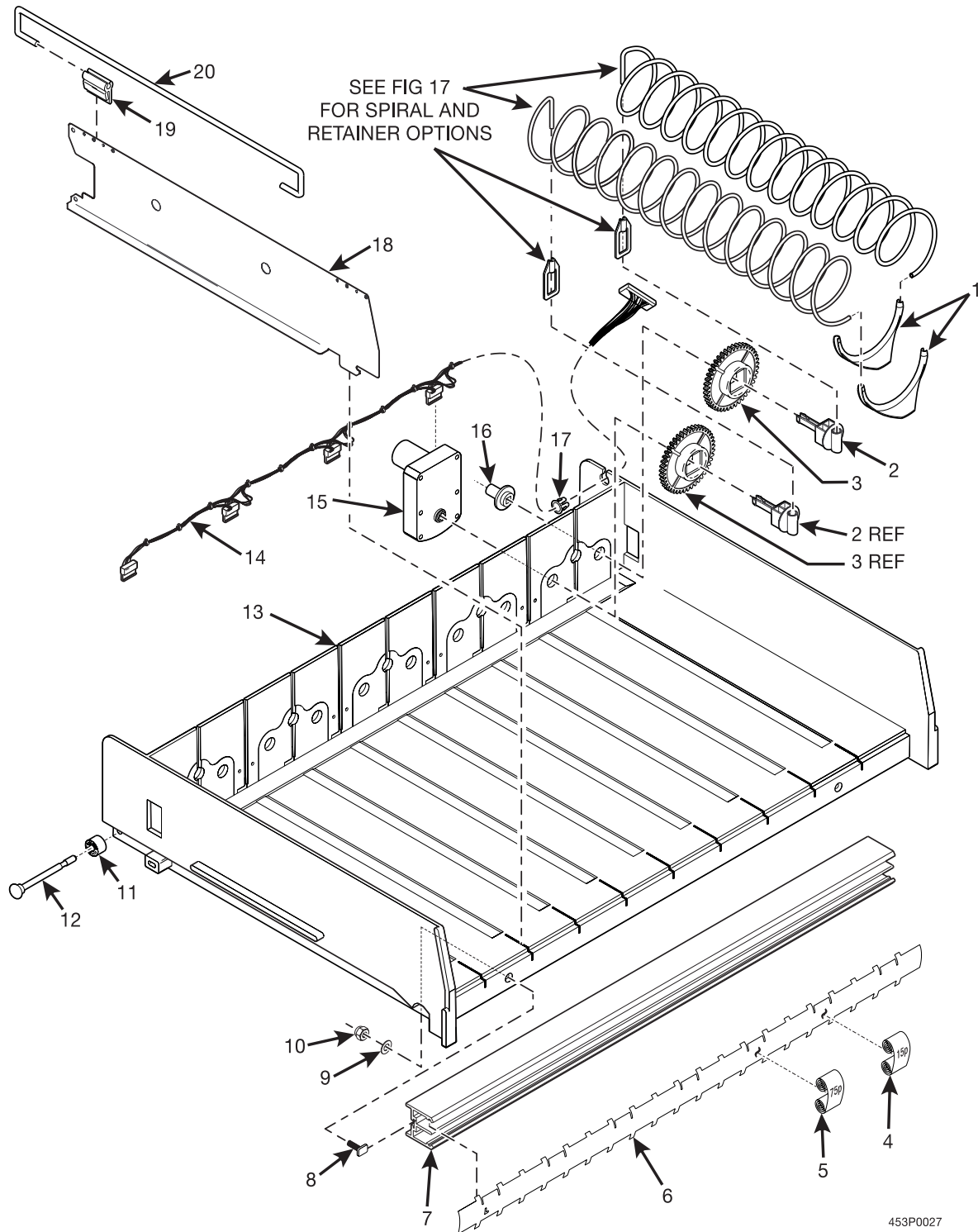


Figure 18. Snack Tray Assembly

Snack Vendor Model 172 - 173 Parts Manual

TABLE 18. SNACK TRAY ASSEMBLY

INDEX	PART NUMBER	DESCRIPTION	QTY.
-	4527000	SNACK TRAY ASSEMBLY (172)	OPT.
	4537000	SNACK TRAY ASSEMBLY (173)	
1	1477074	PUSHER - PRODUCT	-
2	1477113	COUPLING - SPIRAL	-
3	1477020	GEAR - TRAY (172)	10
		GEAR - TRAY (173)	8
4	1472274	PRICE ROLL - UK - 1£/10£, 8P/35P	-
5	1472273	PRICE ROLL - UK - 1£/10£, 40P/95P	-
6	1477157	HOLDER - PRICE SELECTION (173)	1
	1487016	HOLDER - PRICE SELECTION (172)	
7	1477134	RAIL - PRICE & SELECTION (172)	1
	1487009	RAIL - PRICE & SELECTION (173)	
8	2222031	TEE BOLT - TRIM (172)	3
		TEE BOLT - TRIM (173)	2
9	5560113	WASHER - HOPPER RELEASE (172)	3
		WASHER - HOPPER RELEASE (173)	2
10	9900030	NUT #8-32 SELF LOCKING (172)	3
		NUT #8-32 SELF LOCKING (173)	2
11	1477148	ROLLER - TRAY	-
12	1477097	AXLE - TRAY ROLLER	-
13	1707001	TRAY - 5/10 DIVISION (172)	1
	1717001	TRAY - 4/8 DIVISION (173)	
14	1709012	HARNESS - 5 MOTOR TRAY - 28" (172)	1
	1709011	HARNESS - 4 MOTOR TRAY - 28" (173)	
15	1577035	MOTOR & PCB BOARD ASSEMBLY (172)	5
		MOTOR & PCB BOARD ASSEMBLY (173)	4
16	1477022	BEARING - COUPLER (172)	5
		BEARING - COUPLER (173)	4
17	3502097	BUSHING #OCB-500	1
18	1707003	WALL - TRAY (172)	4
		WALL - TRAY (173)	3
19	1707030	MOUNT - PRODUCT RETAINER	-
20	1707035	RETAINER - PRODUCT ADJ. - BLACK	-

Snack Vendor Model 172 - 173 Parts Manual

TABLE 19. SPIRAL OPTIONS

SPIRAL & RETAINER ASSEMBLY	SPIRAL RETAINER COLOR	SPIRAL RETAINER NUMBER	SPIRAL PART NUMBER	SPIRAL DESCRIPTION	COUNT	LEFT HAND	RIGHT HAND
1707004	BLUE	1457061	1707005	2.57 DIAMETER	10		
1707006	BLUE	1457061	1707007	2.57 DIAMETER	10		
1707008	YELLOW	1457062	1707009	2.57 DIAMETER	12		
1707010	YELLOW	1457062	1707011	2.57 DIAMETER	12		
1707012	RED	1457063	1707013	2.57 DIAMETER	14		
1707014	RED	1457063	1707015	2.57 DIAMETER	14		
1707016	GRAY	1477155	1707017	2.57 DIAMETER	8		
1707018	GRAY	1477155	1707019	2.57 DIAMETER	8		
1707020	WHITE	1457064	1707021	2.57 DIAMETER	18		
1707022	WHITE	1457064	1707023	2.57 DIAMETER	18		

NOTES . . .

Area for handwritten notes, consisting of a large rectangular box with horizontal lines.

SnackVendor Model 172 - 173 Parts Manual

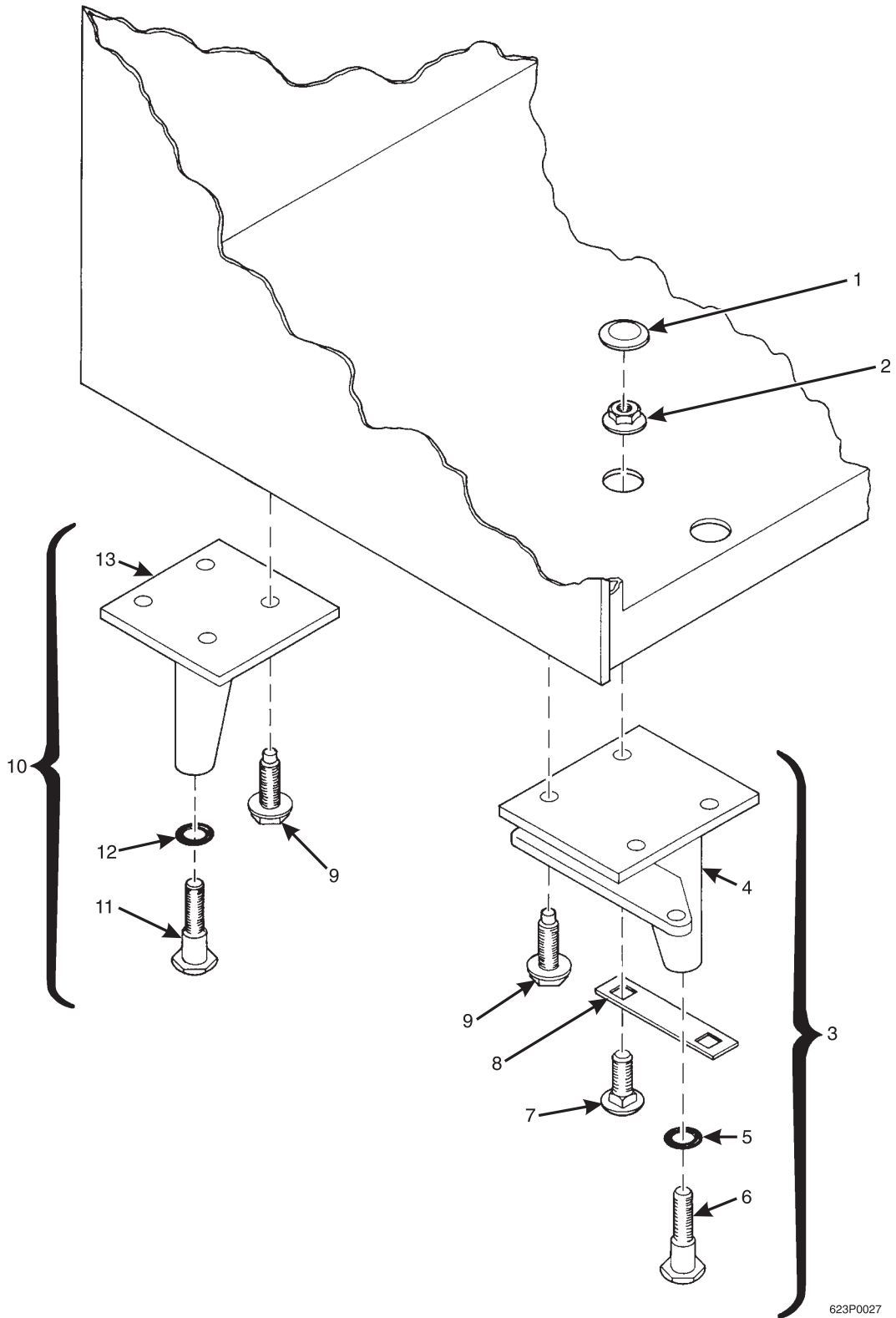


Figure 20. Leg, Leveler, and Leg and Hinge Assemblies

Snack Vendor Model 172 - 173 Parts Manual

TABLE 20. LEG, LEVELER, AND LEG AND HINGE ASSEMBLIES

INDEX	PART NUMBER	DESCRIPTION	QTY.
1	6231034	PLUG - HOLE	2
2	1172021	NUT - 1/4-20 WHIZ - LOCK	2
3	6231163	LEG, HINGE & LEVELER ASEMBLY	1
4	1571115	LEG & HINGE ASSEMBLY - WELD	1
5	1471283	"O" RIN - .49 ID X .10 DIAMETER	1
6	1471098	LEVELER - CABINET	1
7	1211112	TRAY BOLT	2
8	6231203	PLATE - HINGE LEG BOLT	1
9	9900218	SCREW - 5/16 X 1 W/LOCKING RING	14
10	1471237	LEG & LEVELER ASSEMBLY - CABINET	3
11	1471098	LEVELER - CABINET	1
12	1471283	"O" RING - .49 ID X .10 DIA	1
13	1571103	LEG ASSEMBLY - CABINET - WELD	1

SnackVendor Model 172 - 173 Parts Manual

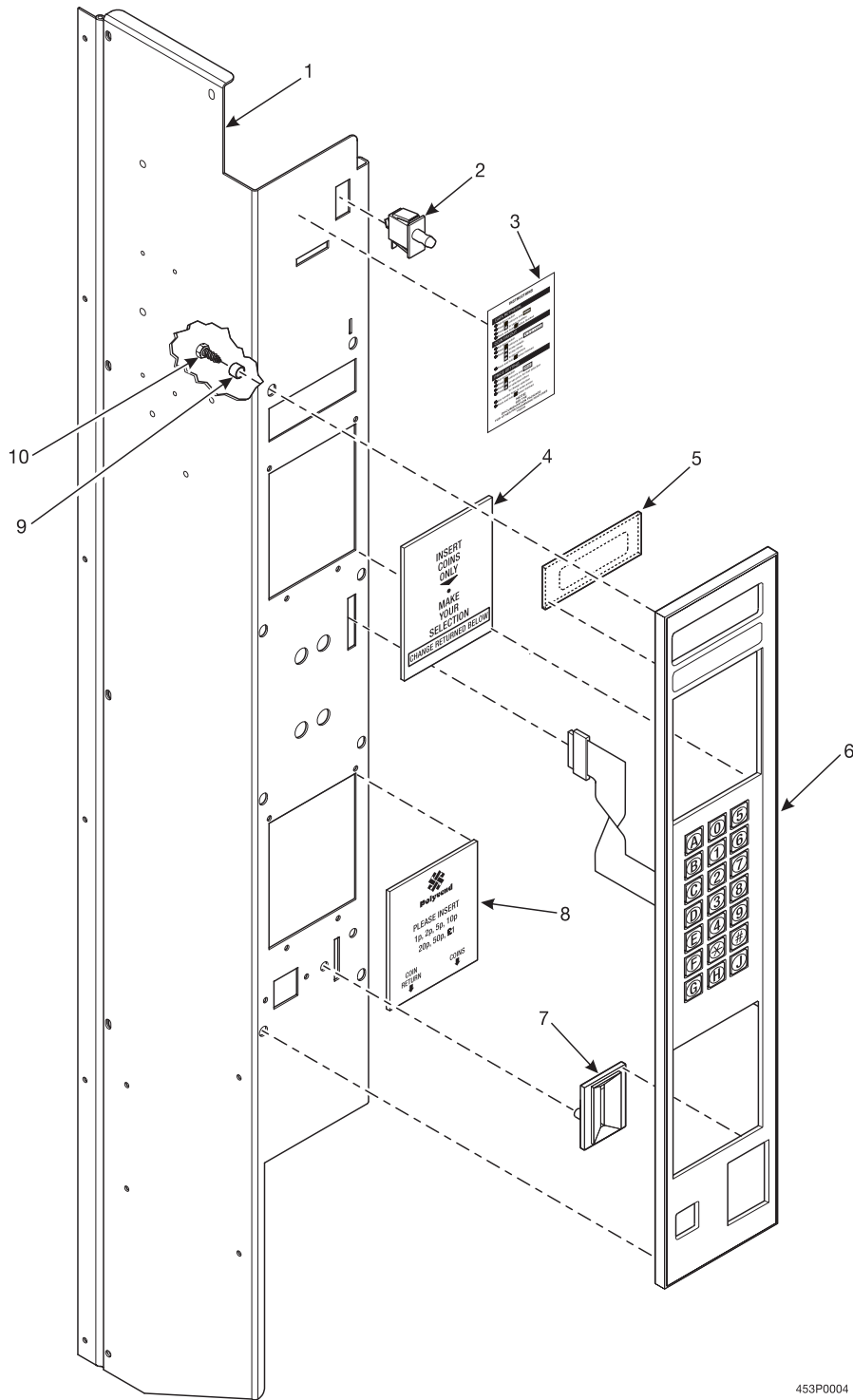


Figure 21. Monetary Panel Assembly (Part 1 of 2)

SnackVendor Model 172 - 173 Parts Manual

TABLE 21. MONETARY PANEL ASSEMBLY (PART 1 OF 2)

INDEX	PART NUMBER	DESCRIPTION	QTY.
1	1570094	PANEL WELD ASSEMBLY - MONETARY	1
2	9989594	SWITCH - PUSH/PULL - PANEL MOUNTED	1
3	1590033	LABEL - INSTR. - DATA PRICE - PAYOUT ENGLISH USA	1
4	1575013	INSERT - INSTR - COINS ONLY ENGLISH	1
5	1595014	LENS - DISPLAY - GPL	1
6	4525010	FACEPLATE ASSEMBLY - POLYVEND (SEE FIGURE 23)	1
	4525011	FACEPLATE ASSEMBLY - PROVEND (SEE FIGURE 23)	
7	1472223	COIN INSERT	1
8	4525006	INSERT - COIN - 1P/ 1 PND - POLYVEND	1
	1725001	INSERT - INST - COIN 1/5/20/50	
9	2302053	SPACER CUP	-
10	1437204	SCREW - #8-10 X .38 HEX HD. TF	-

Snack Vendor Model 172 - 173 Parts Manual

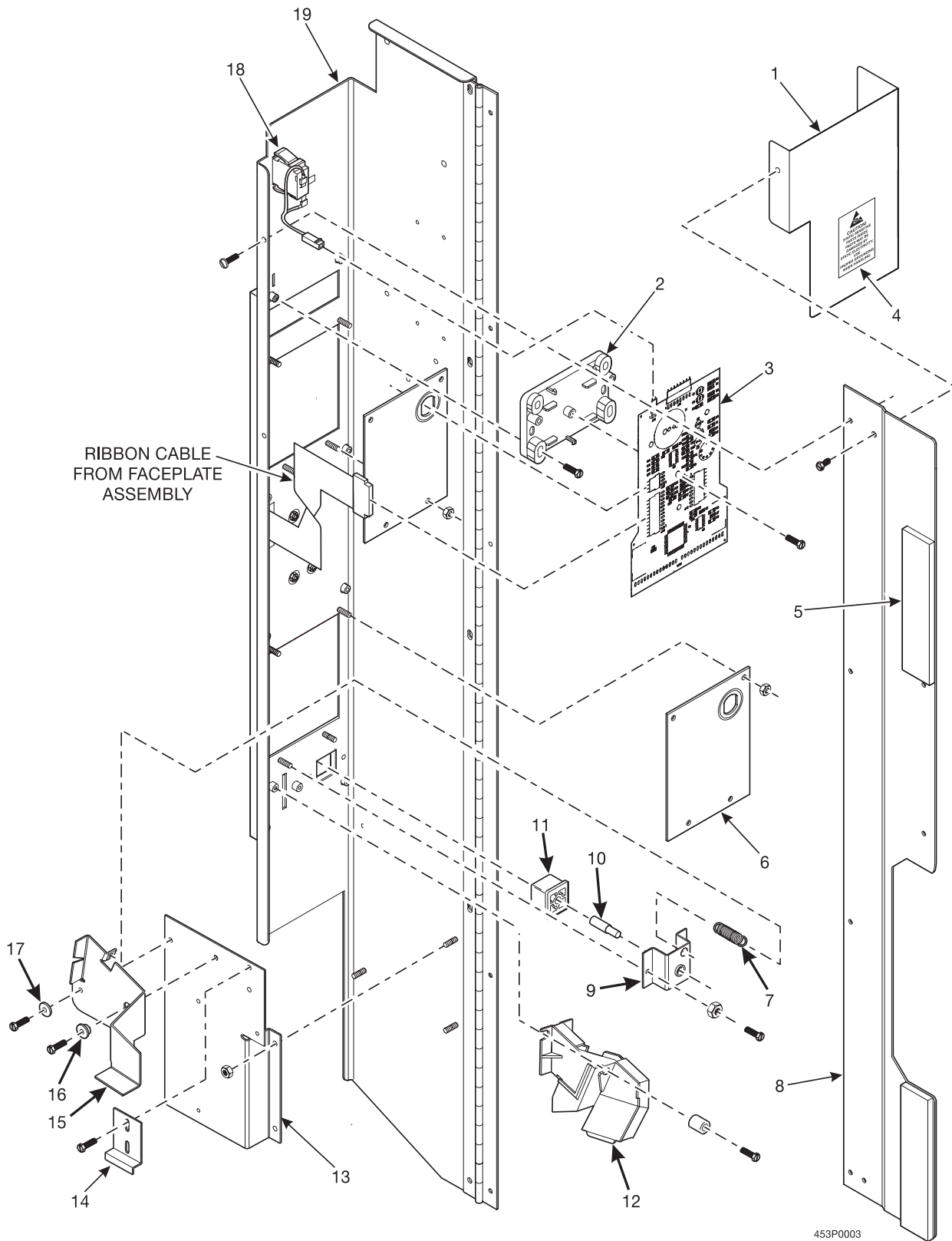


Figure 22. Monetary Panel Assembly (Part 2 of 2)

Snack Vendor Model 172 - 173 Parts Manual

TABLE 22. MONETARY PANEL ASSEMBLY (PART 2 OF 2)

INDEX	PART NUMBER	DESCRIPTION	QTY.
1	1575029	COVER - DISPLAY	-
2	1475099	BRACKET - PCB DISPLAY	-
3	9989685	PCB ASSEMBLY - DISPLAY	-
4	1571154	LABEL - CAUTION - STATIC/ELECT.	1
5	3122056	MAGNET RETAINER - COIN CHANGER	1
6	1575048	PLATE - INSERT BACKING	OPT.
7	1127808	SPRING - SHELF - RESET	1
8	1575057	PLATE - MAGNET MOUNTING	1
9	1571079	BRACKET - COIN RETURN BUTTON	1
10	1475072	SHAFT - RETURN BUTTON	1
11	1475026	BUTTON - COIN RETURN	1
12	1575003	COIN CHUTE ASSEMBLY	1
13	1571078	BRACKET - COIN MECHANISM	OPT.
14	6231037	CLAMP - CABLE	1
15	1571113	ARM - SCAVENGER	1
16	2228011	SPACER RELEASE ARM	1
17	2204093	WASHER SCAVENGER BAR	2
18	9989594	SWITCH - PUSH/PULL - PANEL MOUNTED	1
19	1575094	PANEL - WELD ASSEMBLY - MONETARY	1

SnackVendor Model 172 - 173 Parts Manual

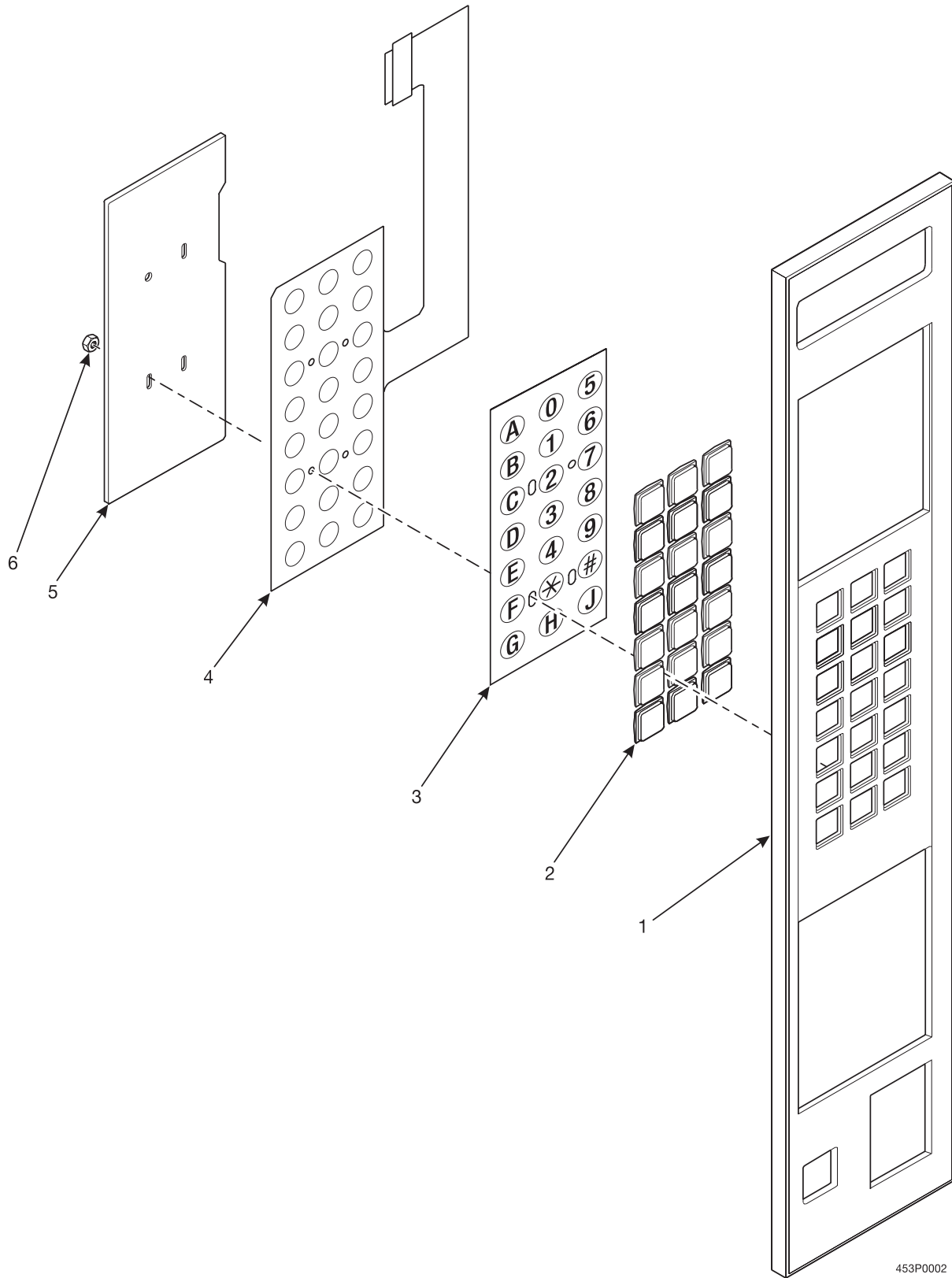


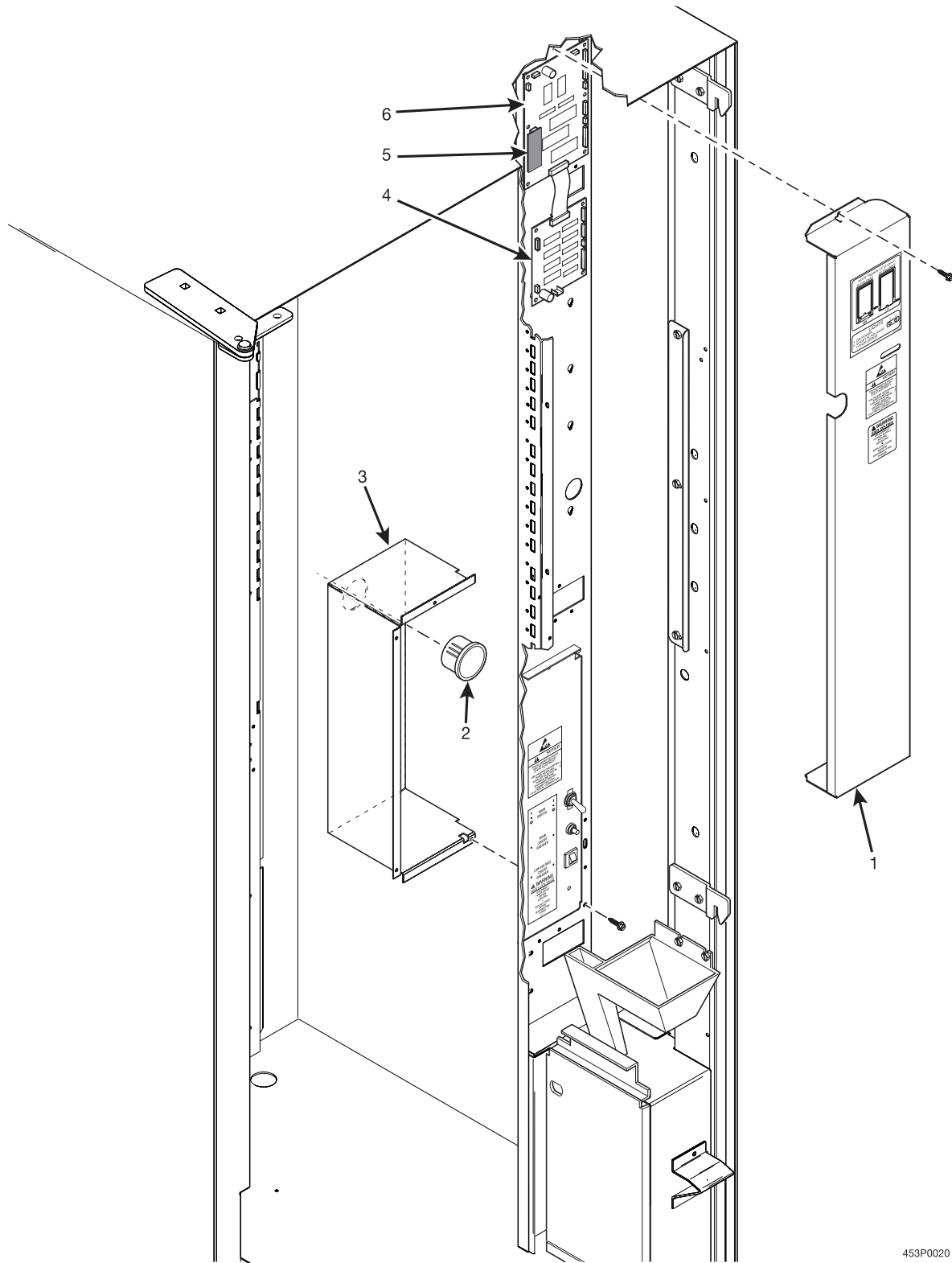
Figure 23. Face Plate Assembly

SnackVendor Model 172 - 173 Parts Manual

TABLE 23. FACE PLATE ASSEMBLY

INDEX	PART NUMBER	DESCRIPTION	QTY.
-	4525010	FACEPLATE ASSEMBLY - POLYVEND	1
	4525011	FACEPLATE - PROVEND	
1	4525002	FACEPLATE - MONETARY PANEL - POLYVEND	1
2	1472251	LENS - PUSH BUTTON	21
3	1595002	LETTER SHEET - SELECTION SWITCH - POLYVEND	1
	4525004	LETTER SHEET - PROVEND - YELLOW	
4	9984630	MEMBRANE SWITCH ASSEMBLY - SELECT	1
5	1575091	PLATE - SELECT SWITCH - BACKUP - W/STUD	1
6	1475089	1/8" NUT - SELF-THREADING	4

SnackVendor Model 172 - 173 Parts Manual



453P0020

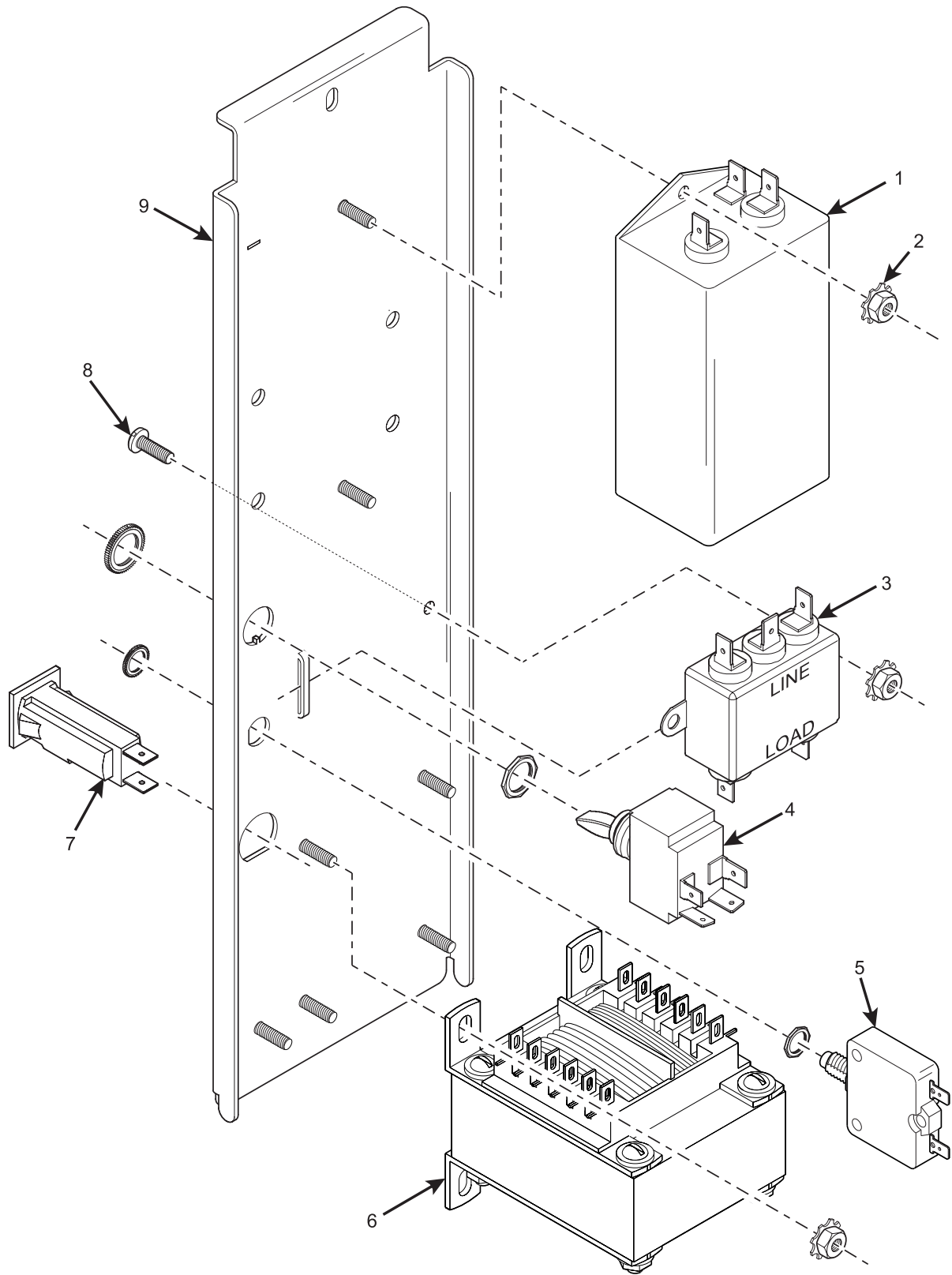
Figure 24. Controller Interface PCB and Power Panel Housing

SnackVendor Model 172 - 173 Parts Manual

TABLE 24. CONTROLLER INTERFACE PCB AND POWER PANEL HOUSING

INDEX	PART NUMBER	DESCRIPTION	QTY.
1	1571112	COVER - CONT./ INTERFACE PCB	1
2	6106021	BUSHING #SB1500-21	1
3	1571193	HOUSING - POWER PANEL	1
4	1576008	PCB ASSEMBLY - SNACK INTERFACE	1
5	9989687	PCB ASSEMBLY - EXECUTIVE INTERFACE	1
6	1606000	MAIN CONTROLLER PCB WITH EPROM (INCLUDES THE FOLLOWING TWO ITEMS)	1
-	9989678	PCB ASSEMBLY - MAIN CONTROLLER	1
-	SEE LABEL	IC ASSEMBLY	1

SnackVendor Model 172 - 173 Parts Manual



453P0005

Figure 25. Power Panel

SnackVendor Model 172 - 173 Parts Manual

TABLE 25. POWER PANEL

INDEX	PART NUMBER	DESCRIPTION	QTY.
1	9989110	FILTER - POWER LINE - EMI	1
2	9900081	NUT #8-32 KEPS ZINC PLATE	8
3	9989100	INTERFERENCE FILTER	1
4	9984629	SWITCH - TOGGLE - DPST - 20 AMP	1
5	9989672	BREAKER - 15 AMP	1
6	9989046	24 V TRANSFORMER - DUAL PIR. - .187 TERM.	1
7	9989674	CIRCUIT BREAKER - 4 AMP	1
8	1211110	8-32 X 1/4 RHS MACH SCR ZP	8
9	1701025	PLATE - HOUSING - PANEL	1
-	4311118	POWER PANEL LABEL - U.K. (NOT SHOWN)	1
-	1571100	LABEL - SWITCH - LINE/NEUTRAL (NOT SHOWN)	1

Snack Vendor Model 172 - 173 Parts Manual

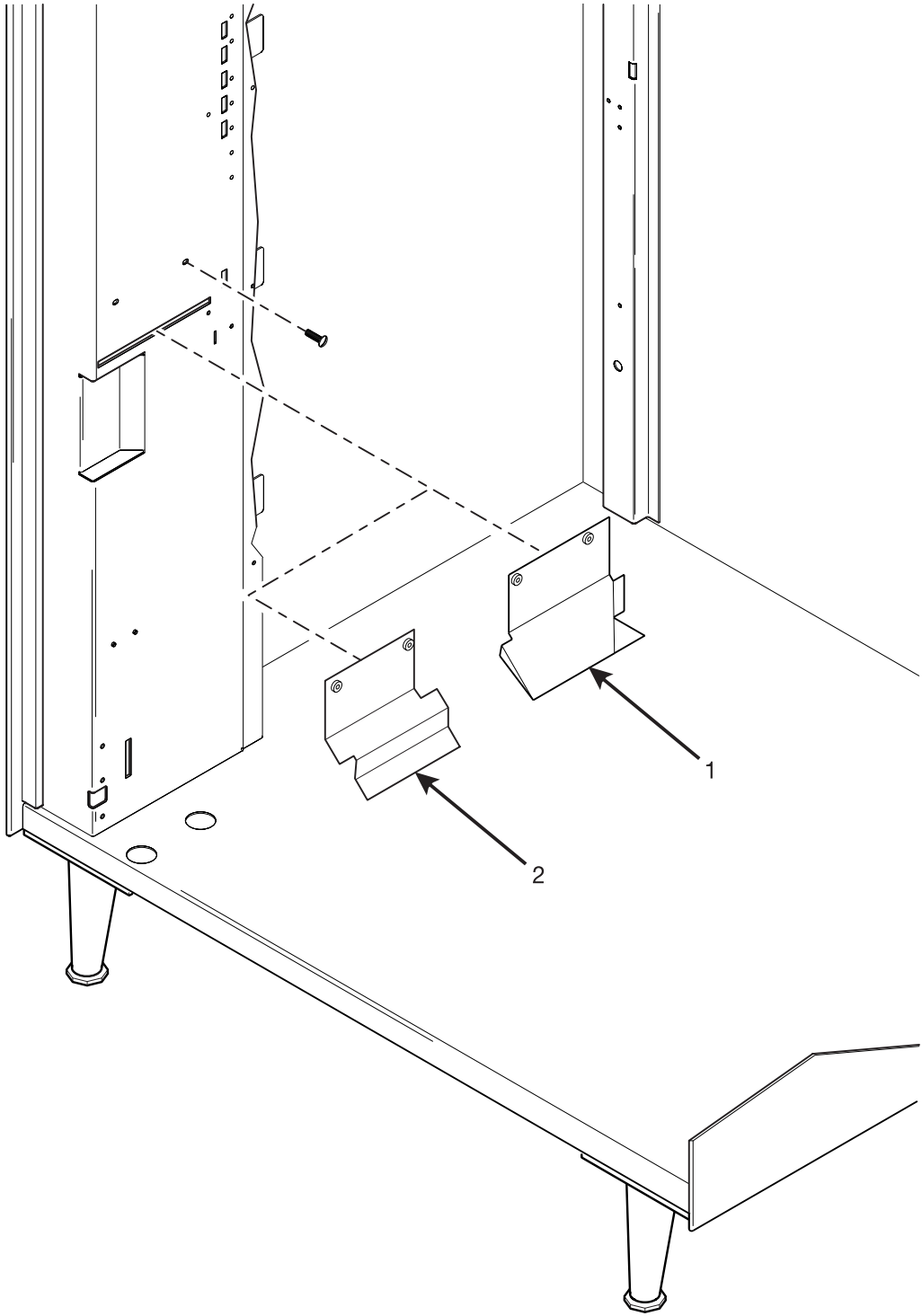


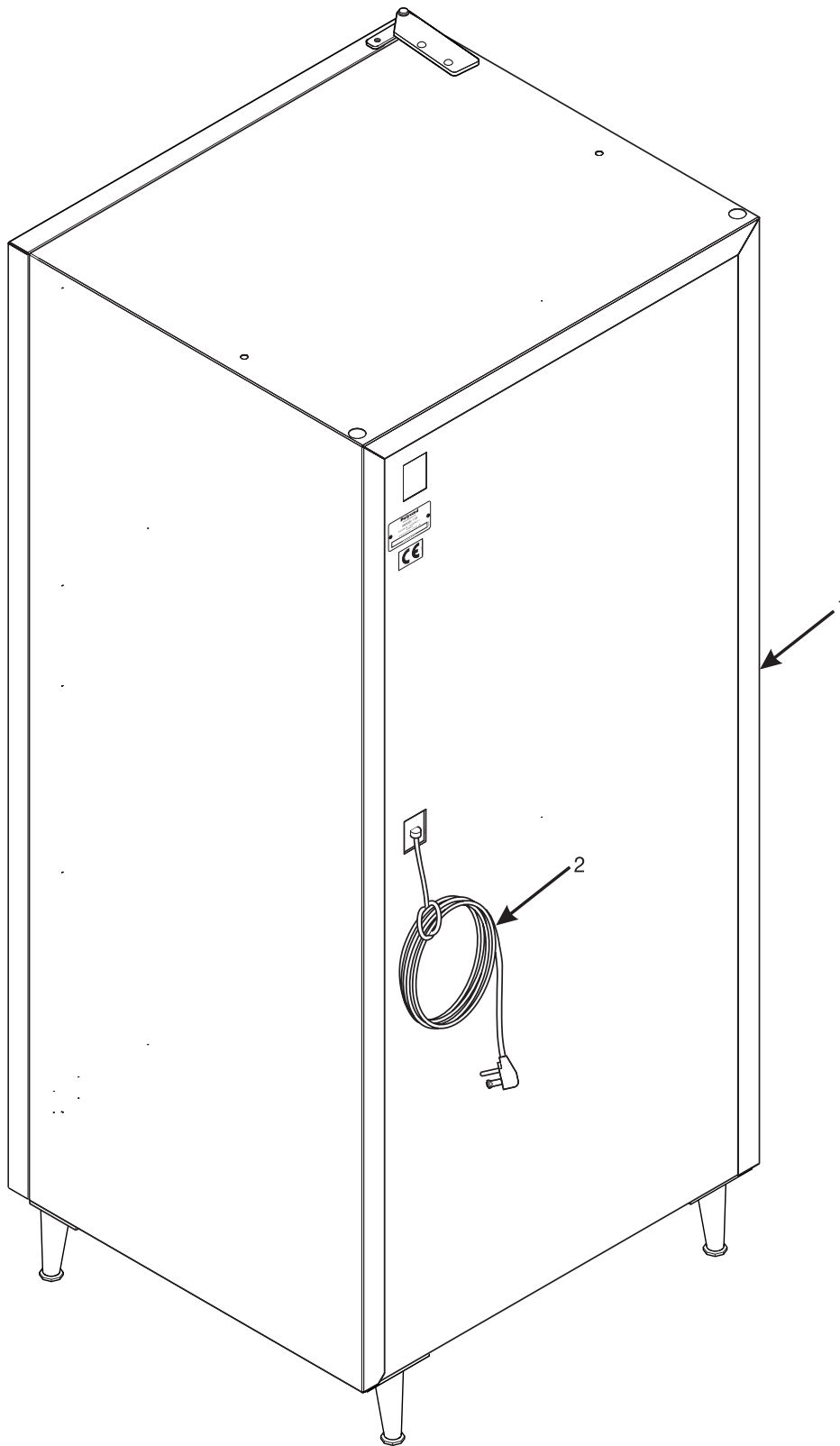
Figure 26. Deflector Assemblies

Snack Vendor Model 172 - 173 Parts Manual

TABLE 26. DEFLECTOR ASEMBLIES

INDEX	PART NUMBER	DESCRIPTION	QTY.
1	1581039	DEFLECTOR ASSEMBLY - SMALL SNACK (173)	1
2	1571123	DEFLECTOR ASSEMBLY - SMALL SNACK (172)	1

Snack Vendor Model 172 - 173 Parts Manual



BACK OF CABINET SHOWN
Figure 27. Cabinet Back Miscellaneous

172P0006

SnackVendor Model 172 - 173 Parts Manual

TABLE 27. CABINET BACK MISCELLANEOUS

INDEX	PART NUMBER	DESCRIPTION	QTY
1	1721003	CABINET ASSEMBLY - NU WHITE (172)	1
	1731003	CABINET ASSEMBLY - NU WHITE (173)	
2	9989576	POWER CORD - W/BSI PLUG	1

Snack Vendor Model 172 - 173 Parts Manual

TABLE 28. ACCESSORIES (BASE PLATE ASSEMBLY)

INDEX	PART NUMBER	DESCRIPTION	QTY.
-	-	BASE PLATE ASSEMBLY	-
1	1411194	SLIDE - BASE PLATE R.H.	1
2	9900098	COTTER PIN 3/32 X 3/4 IN.	2
3	1581023	BASE PLATE ASSEMBLY	1
4	1411195	SLIDE - BASE PLATE L.H.	1
5	6231087	BRACKET - BASE PLATE	2

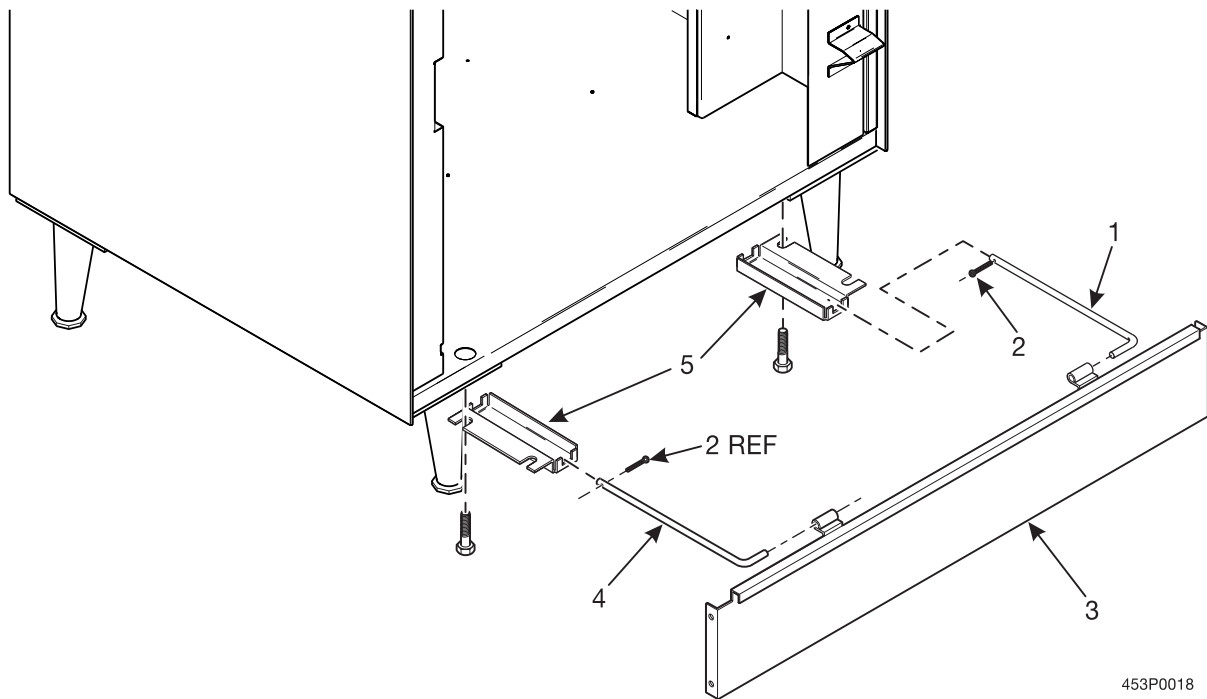


Figure 28. Accessories (Base Plate Assembly)

SnackVendor Model 172 - 173 Parts Manual

TABLE 29. ACCESSORIES (DOOR LOCK GUARD)

INDEX	PART NUMBER	DESCRIPTION	QTY.
-	-	DOOR LOCK GUARD	-
1	2222031	TEE BOLT - TRIM	4
2	1572186	GUARD - LOCK - COMMON	1
3	9900081	NUT - #8-32 KEPS ZINC PLATE	4

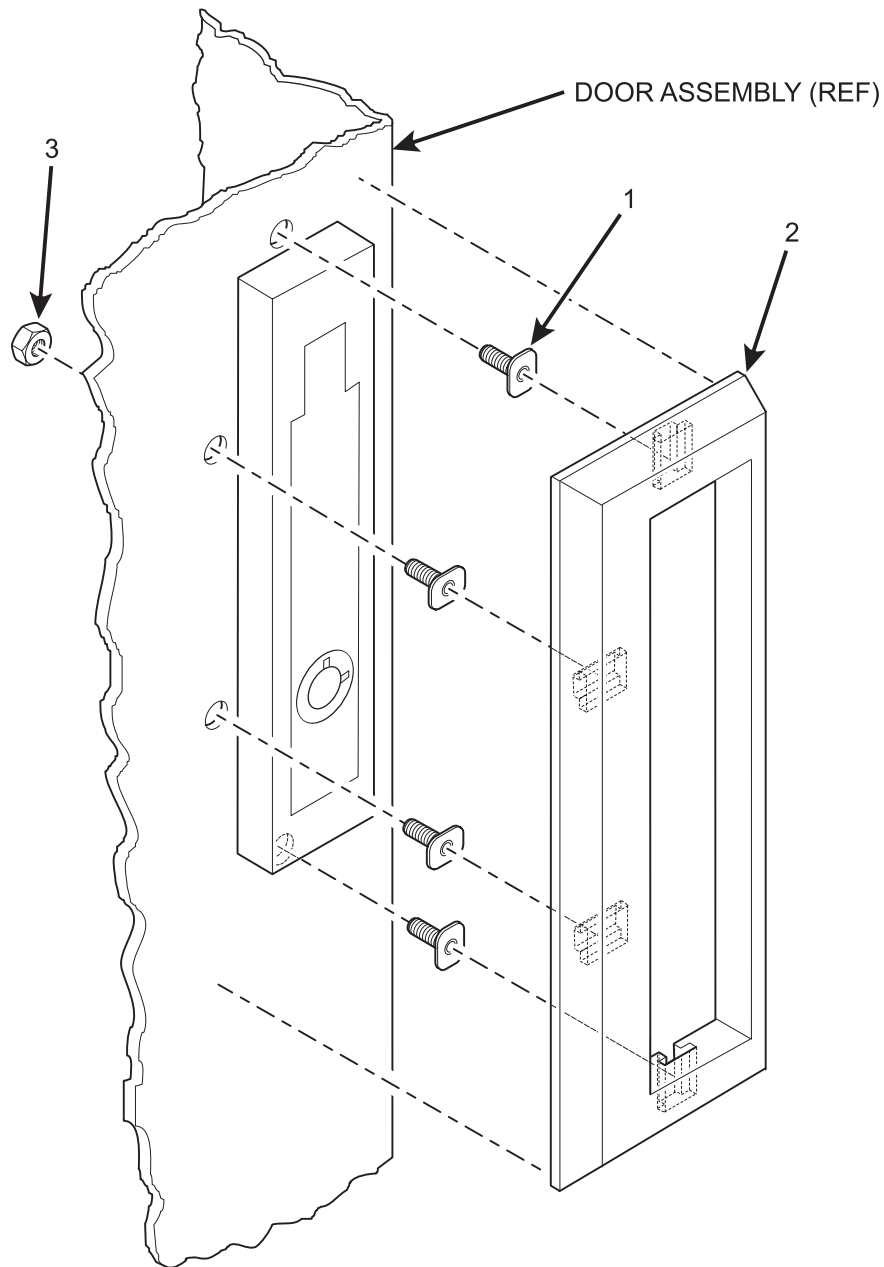


Figure 29. Accessories (Door Lock Guard)

SnackVendor Model 172 - 173 Parts Manual

TABLE 30. ACCESSORIES (MONEY BOX LOCK)

INDEX	PART NUMBER	DESCRIPTION	QTY.
-	-	MONEY BOX LOCK	-
1	4521035	KEY - MSU - 48, #352-48	1
2	4521033	BARREL & TUMBLER ASSEMBLY	1
3	2222604	WASHER - LOCK BARREL - #2693	1
4	1571024	MONEY BOX ASSEMBLY	REF.
5	2222603	NUT - LOCK RETAINING	1
6	4521034	CAM	1

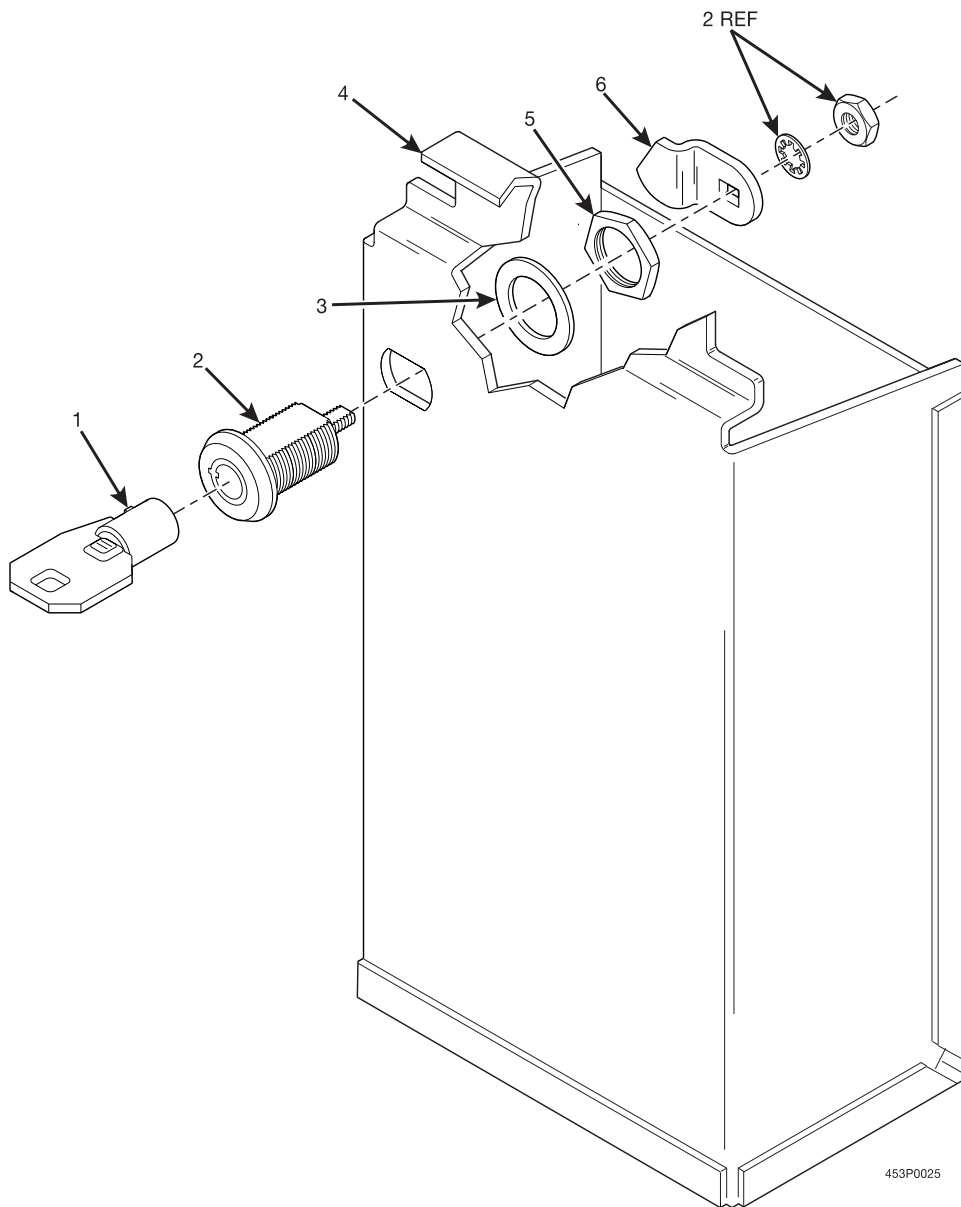


Figure 30. Accessories (Money Box Lock)

Snack Vendor Model 172 - 173 Parts Manual

TABLE 31. ACCESSORIES (DELIVERY PAN PAD)

INDEX	PART NUMBER	DESCRIPTION	QTY.
-	-	DELIVERY PAN PAD ACCESSORY	-
1	4742408	DELIVERY PAN PAD	1

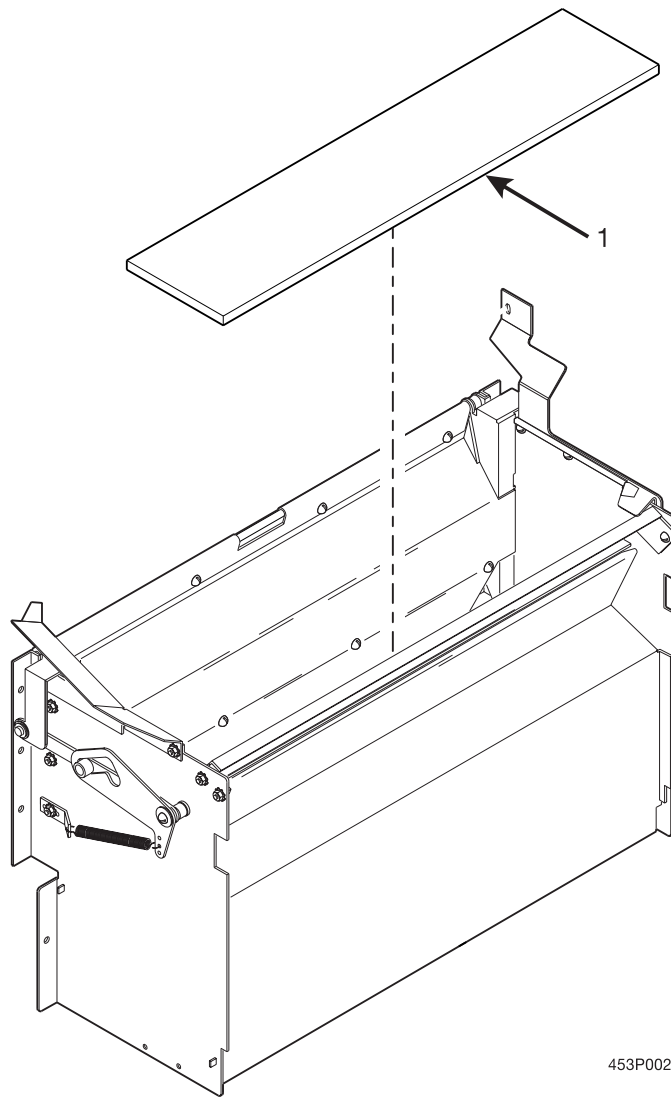
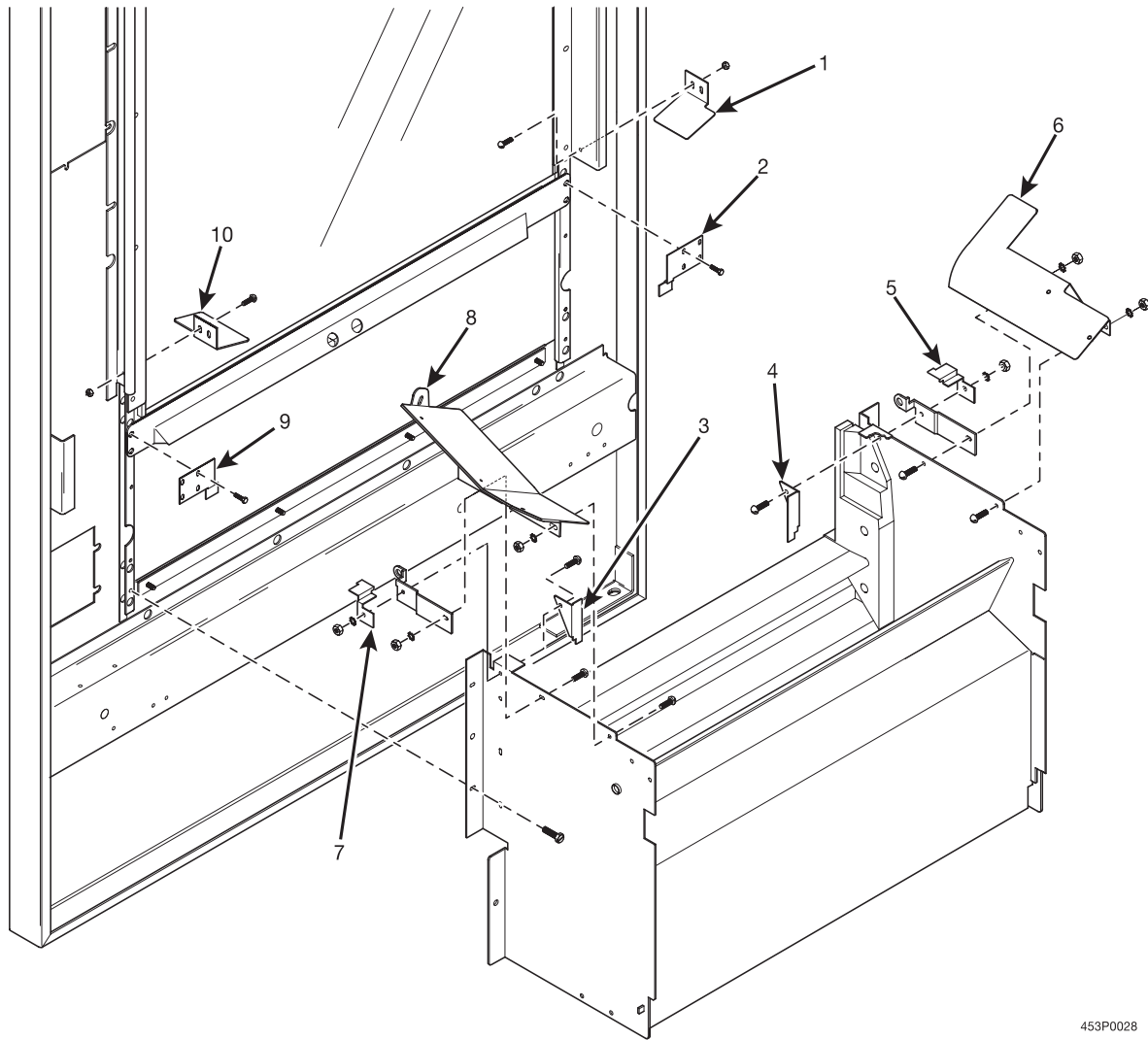


Figure 31. Accessories (Delivery Pan Pad)

SnackVendor Model 172 - 173 Parts Manual



453P0028

Figure 32. Accessories (Wire Block Kit)

Snack Vendor Model 172 - 173 Parts Manual

TABLE 32. ACCESSORIES (WIRE BLOCK KIT)

INDEX	PART NUMBER	DESCRIPTION	QTY.
-	1572271	WIRE BLOCK KIT - LARGE VEND DOOR	-
1	1582108	DEFLECTOR - L.H. SMALL SNACK	1
2	1572088	BLOCK - DOOR - L.H.	1
3	1572091	BLOCK - R.H. - DELIVERY DOOR	1
4	1572092	BLOCK - WIRE - L.H.	1
5	1572090	BLOCK - L.H. - DELIVERY DOOR	1
6	1572095	DEFLECTOR ASSEMBLY - L.H.	1
7	1572093	BLOCK - WIRE - R.H.	1
8	1572098	DEFLECTOR ASSEMBLY - R.H.	1
9	1572089	BLOCK - DOOR - R.H.	1
10	1572270	DEFLECTOR - L.H. - LARGE SNACK	1

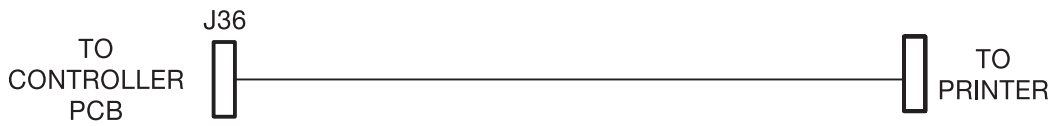
SnackVendor Model 172 - 173 Parts Manual

TABLE 33. ACCESSORIES (DATA PRINTER INTERFACE)

INDEX	PART NUMBER	DESCRIPTION	QTY.
-	6330749	DATA PRINTER INTERFACE	-
-	1579018	HARNESS - DATA PRINTER INTERFACE	1
-	9984516	MODULAR ADAPTER - FEMALE	1

1579018

RS232 PRINTER INTERFACE HARNESS



9984516

FEMALE MODULAR ADAPTER

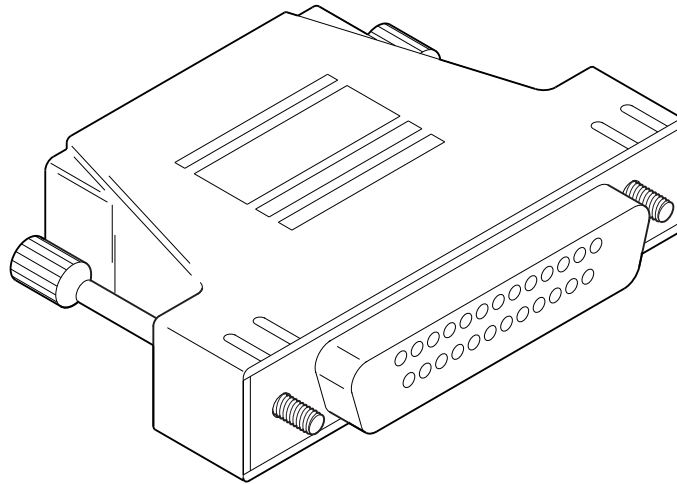


Figure 33. Accessories (Data Printer Interface)

SnackVendor Model 172 - 173 Parts Manual

1709017 TRAY EXTENSION HARNESS

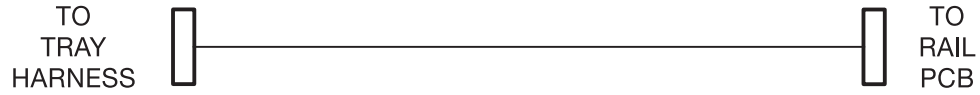


Figure 34. Accessories (Tray Extension Harness)

1579019 DEX PRINTER INTERFACE HARNESS



Figure 35. Accessories (DEX Printer Interface Harness)

SnackVendor Model 172 - 173 Parts Manual

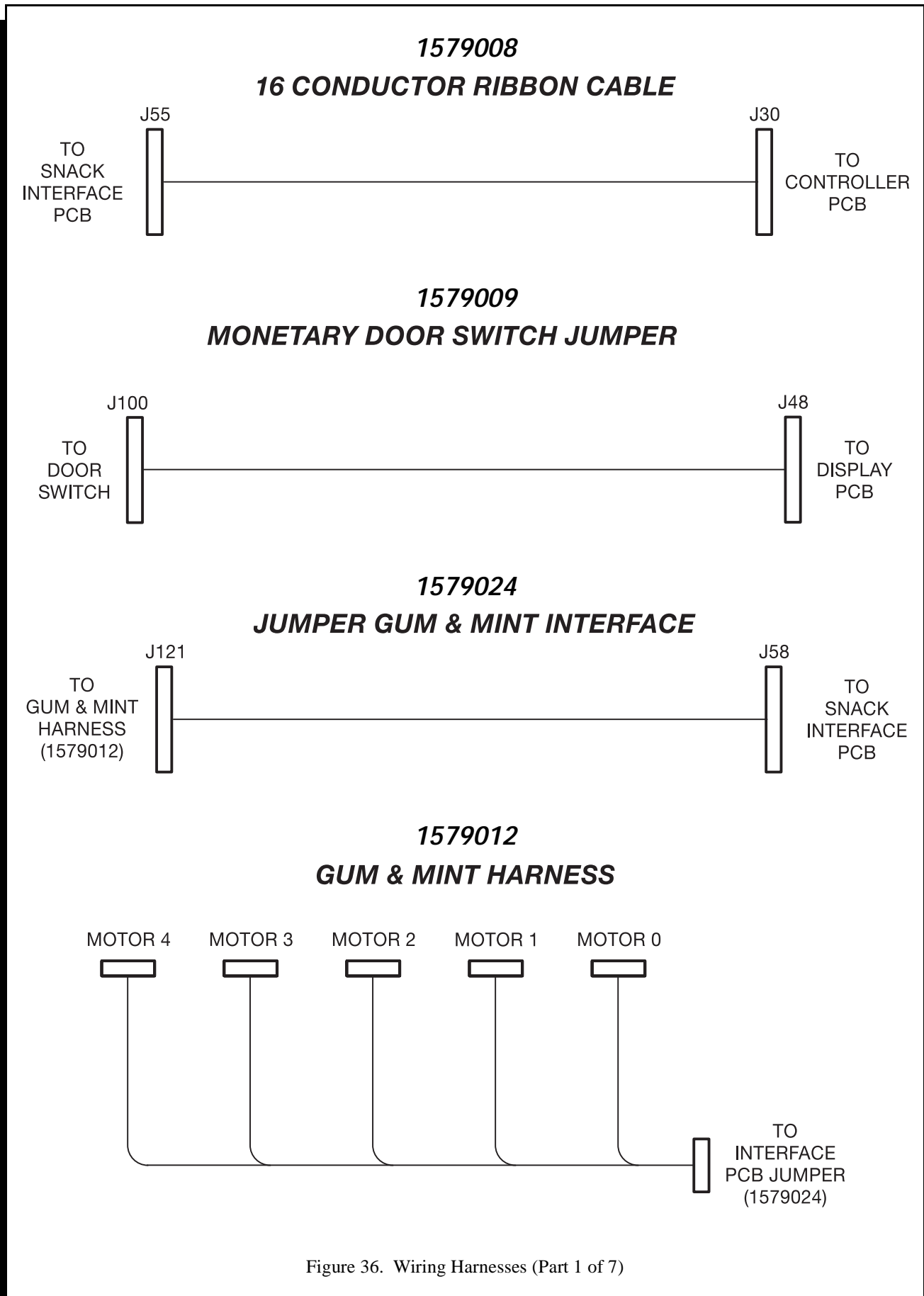


Figure 36. Wiring Harnesses (Part 1 of 7)

SnackVendor Model 172 - 173 Parts Manual

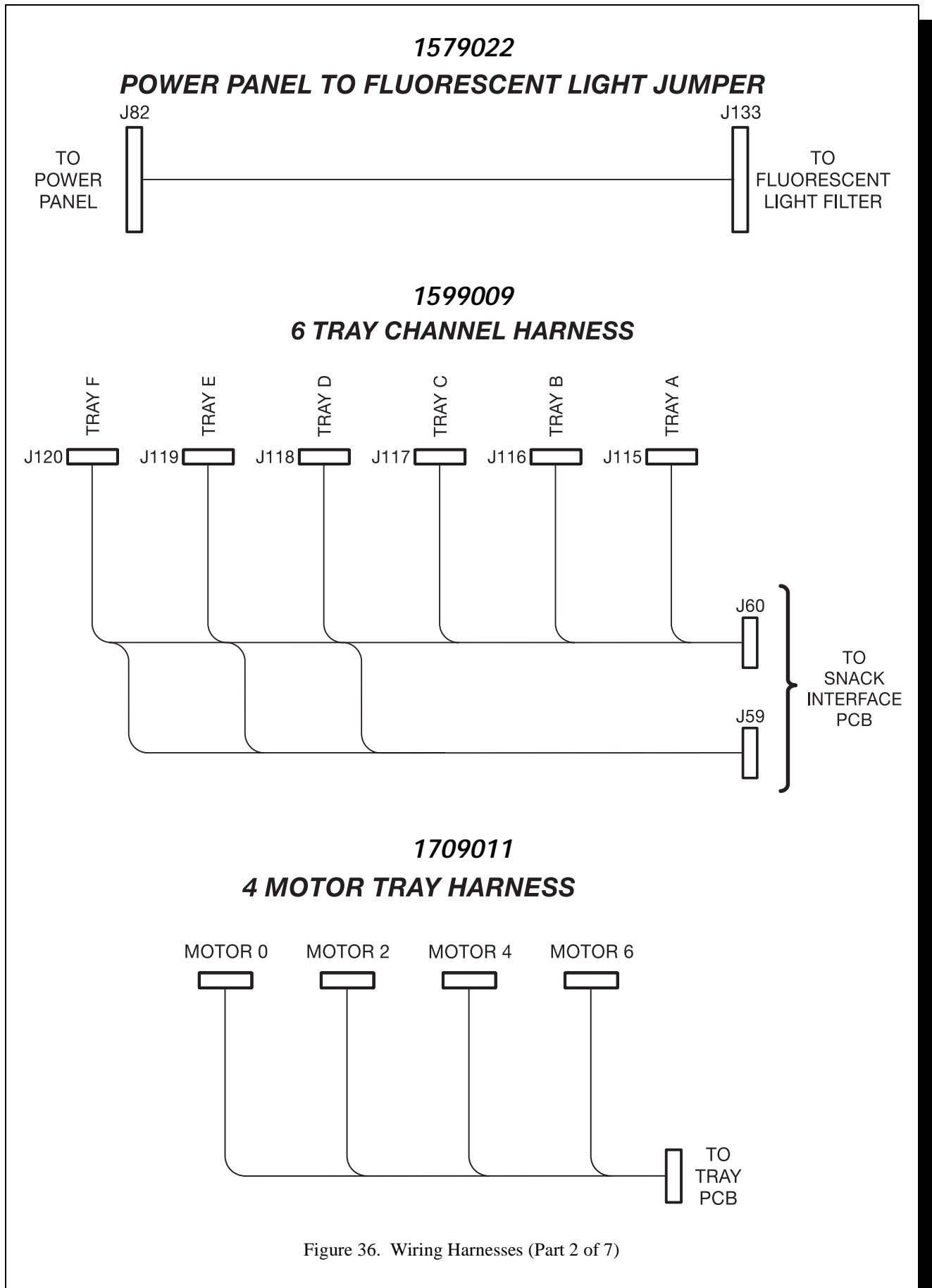
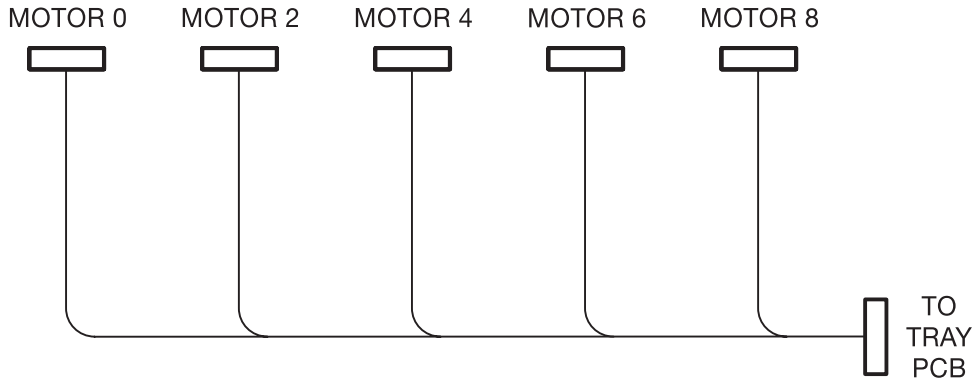


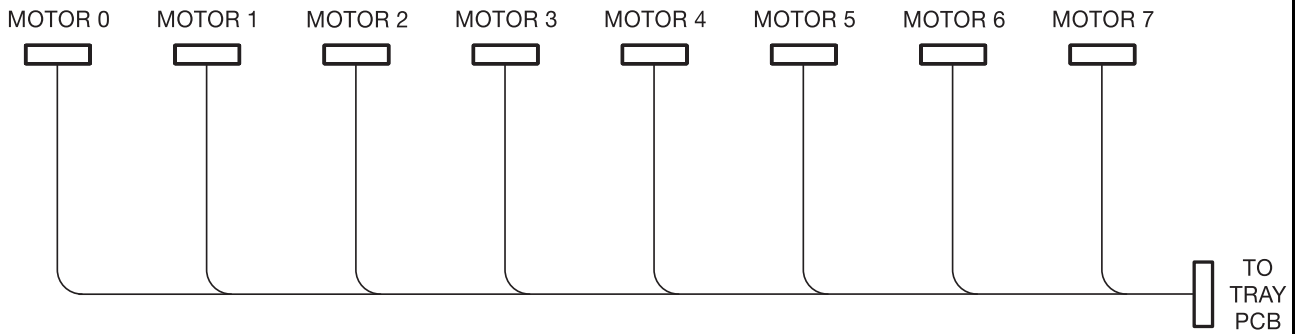
Figure 36. Wiring Harnesses (Part 2 of 7)

Snack Vendor Model 172 - 173 Parts Manual

1709012 5 MOTOR TRAY HARNESS



1709013 8 MOTOR TRAY HARNESS



1709014 10 MOTOR TRAY HARNESS

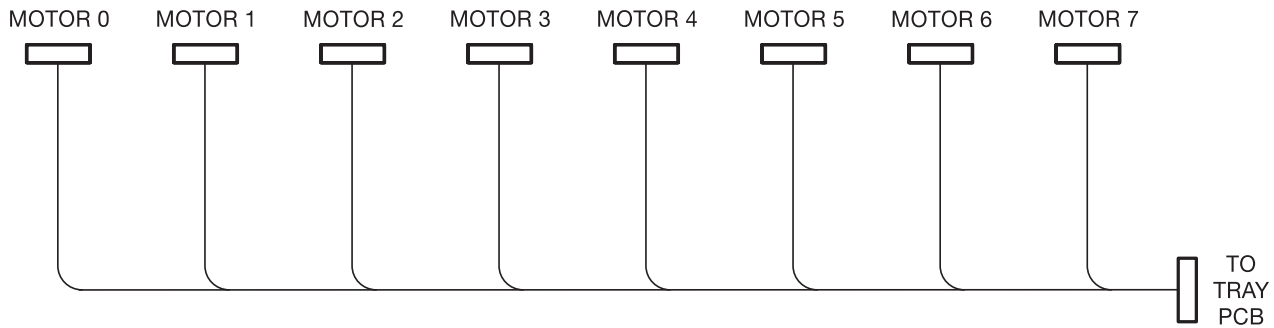


Figure 36. Wiring Harnesses (Part 3 of 7)

Snack Vendor Model 172 - 173 Parts Manual

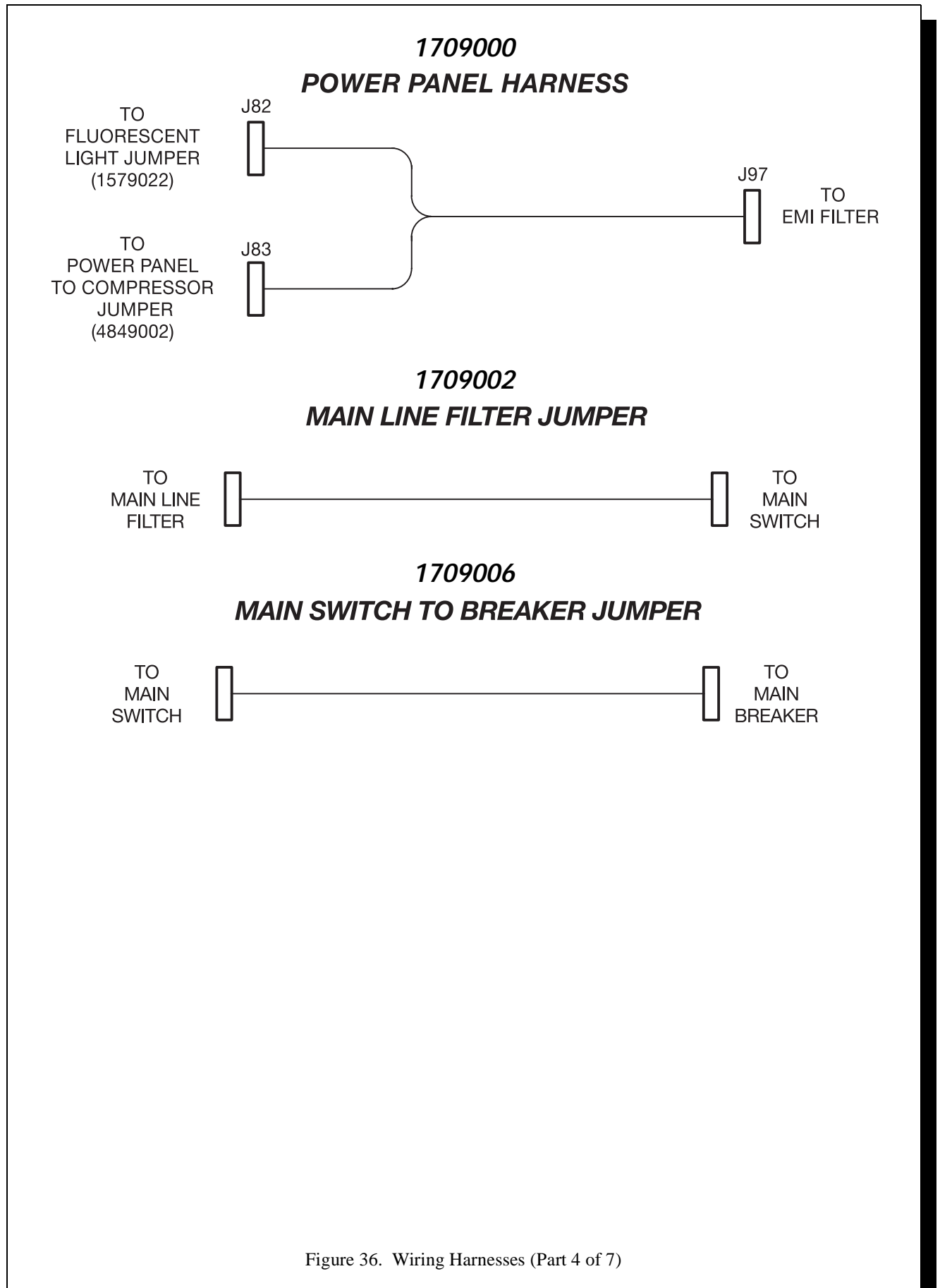


Figure 36. Wiring Harnesses (Part 4 of 7)

Snack Vendor Model 172 - 173 Parts Manual

1709001 120V XFMR PRIMARY JUMPER

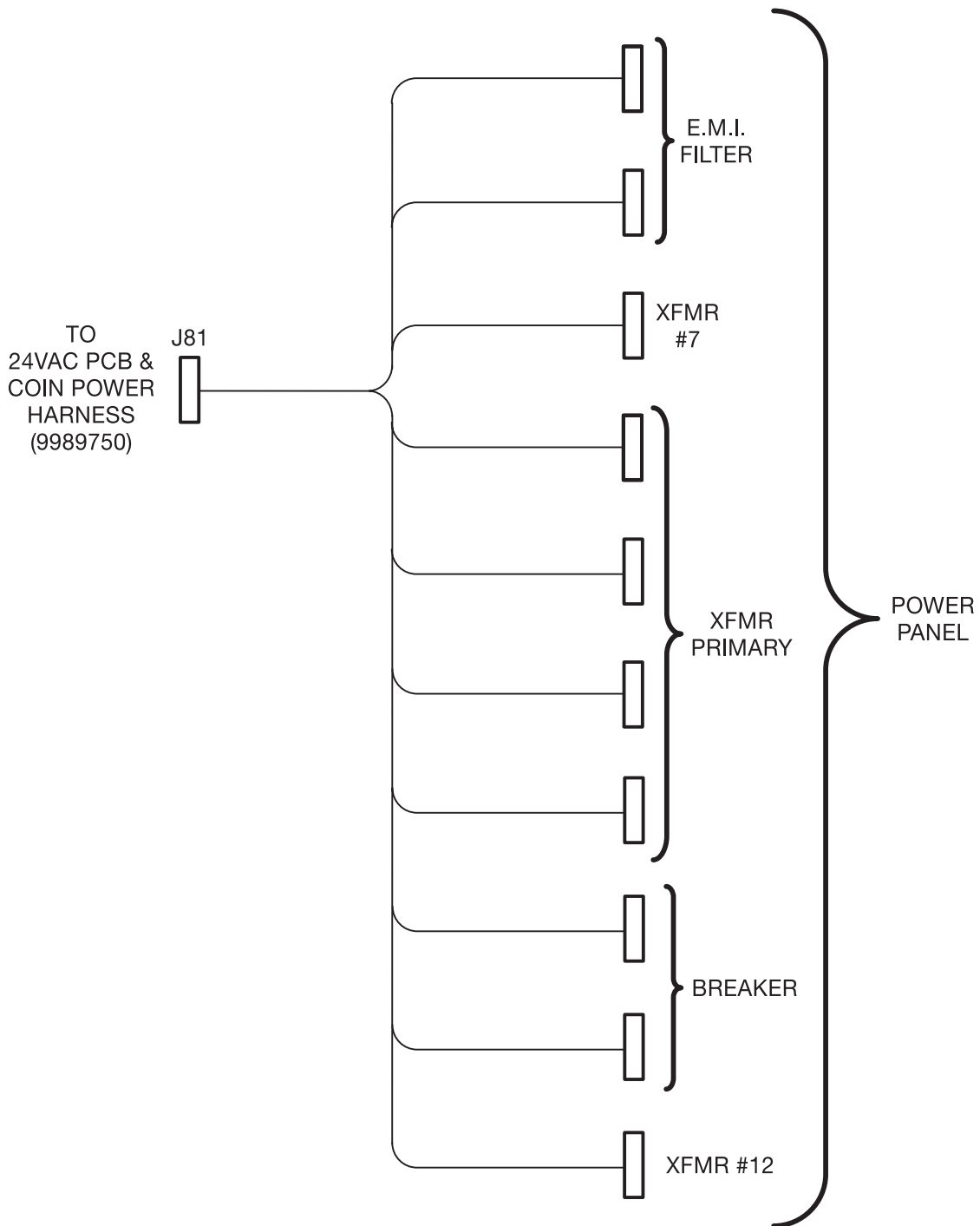


Figure 36. Wiring Harnesses (Part 5 of 7)

Snack Vendor Model 172 - 173 Parts Manual

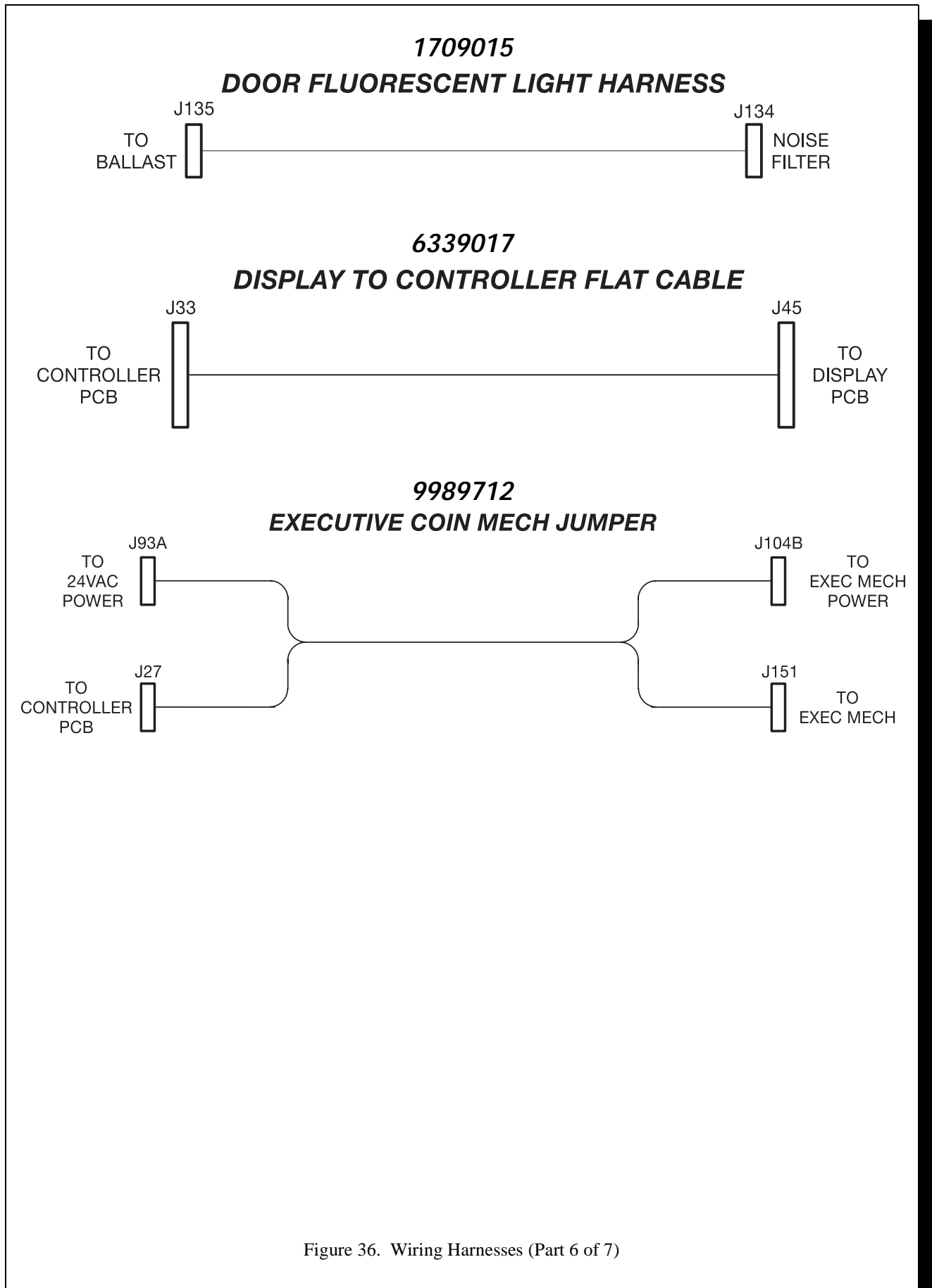


Figure 36. Wiring Harnesses (Part 6 of 7)

Snack Vendor Model 172 - 173 Parts Manual

9989750 24VAC PCB & COIN POWER HARNESS

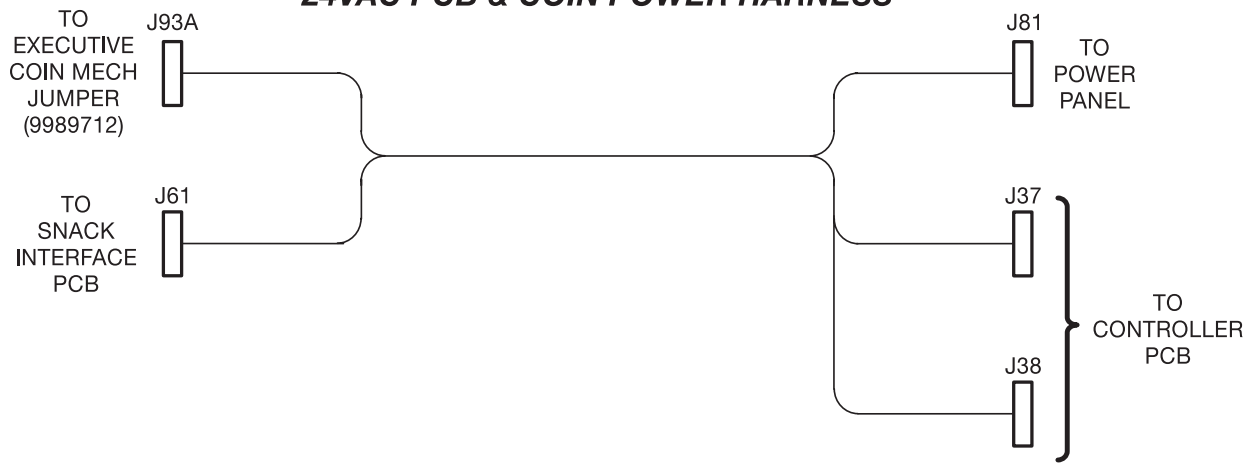


Figure 36. Wiring Harnesses (Part 7 of 7)